

iData DM2000 Compact Fixed Mount Scanner

Perfect size for narrow space, implement code reading right away

iData DM2000 is a new generation of ultra-compact fixed mount scanners which can achieve excellent data capture while occupying almost no space at all. The ultra-small size is dedicated to narrow working stations and all kinds of machines. With the help of optional camera pixels and adjustable focus, this scanner could fulfill your barcode reading effortlessly. The rich one-piece interfaces make it possible to access all kinds of terminals easily.

Ultra-compact size dedicated to the narrow working stations and machines

Only 46mm in length, this scanner occupies almost no space at all. It could be installed within various types of automatic machines for scanning, or capture barcode data on the flow line. Data collection could be implemented anytime anywhere.

Excellent capture capacity, support close-range barcode reading

With optional 0.4MP and 1.6 million pixels, it adopts a self-developed deep learning algorithm, provides a variety of color light sources, and can quickly read food and drug barcodes, component barcodes, etc. It can manually adjust the focus to adapt to the reading range, suitable for 40mm ~120mm field data capture

One-piece cable to connect to all kinds of terminals rapidly

There are two kinds of connection cables: standard cable and USB cable. The standard cable is highly integrated with network port, serial port, and IO functions, while USB interfaces, simple as 'plug and play', makes it possible to access to different terminals quickly with multiple interfaces support.



Food & Drugs
Traceability



Smartphone 3C
manufacturing



Component
traceability



Lithium battery
manufacturing

DM2000 Technical Specifications

Hardware Parameters

Model	DM2000-04P	DM2000-16P
Resolution	704×540ppi	1408×1024ppi
Camera	Manual focus adjusting	Manual focus adjusting
Full-in Light	White light, optional red/blue light	
Targeting	Green LED	
Indicator on Housing	Power indicator: PWR Network indicator: LNK Status indicator: STS	

Structural Parameters

Size (LxWxD)	46mm×38 mm×25 mm
Weight	Est. 160g
Screw Holes on Housing	Screw hole size: M2 Top and side: 2 units/each

Scan Performance

Scan Rate	Network port: 41 codes/s U port: 38 codes/s	Network port: 31ms/each U port: 29ms/each
Frame Rate	60 FPS	
Capture range	40mm~120mm	
Code system	One dimension: Code 39, Code 93, Code 128, ITF14, ITF25, CodaBar, EAN, UPCA, UPCE etc. Two dimensions: QR, DataMatrix, etc.	

Certifications

Certifications	CE, FCC, RoHS
----------------	---------------

Electrical Parameters

Max. Output	Network port: 10.6W 24V DC U port: 4.6W 5V DC
Voltage	Network port: 12 ~ 24V U port: 5V (USB3.0 power supply)
Digital I/O	Network port: 17-pin M12 interface provides power and I/O: includes 4 non-isolated bidirectional I/O (default configuration is 2 input, 2 output), 1 RS-232, supports triggering the device through the side button U port: 17-pin M12 interface provides data transmission and supports triggering the device through the side button
Data Interface	Network port: Fast Ethernet (100 Mbit/s) U port: USB3.0

Environmental Parameters

Working Temperature	0°C ~ 50°C
Storage Temperature	-30°C ~ 70°C
Humidity	20% ~ 95%RH (no condensation)
IP Rating	IP65
Ambient Light	0~50000Lux

Communication Protocol

Network Port	SmartSDK, TCP Client, Serial, FTP, TCP Server, Profinet, MELSEC, Ethernet/IP, ModBus, Fins, SLMP
U Port	SmartSDK, USB

Accessories

Standard Accessories	Network port: M12A17F convert to OPEN+DB9F+RJ45, network port male connector, 3m adaptor U port: M12A17F air interface convert to USB, 2m
Optional Accessories	Installation panel

The information of iData products and software service may be subject to change without notice. Please contact your iData sales representative for the latest details.



Official Website

WUXI IDATA TECHNOLOGY COMPANY LTD.

Address: Floor 11, Building B1, Wuxi (Binhu) National Sensing Information Center,
No.999 Gaolang East Road, Wuxi City, Jiangsu Province, P.R.C.

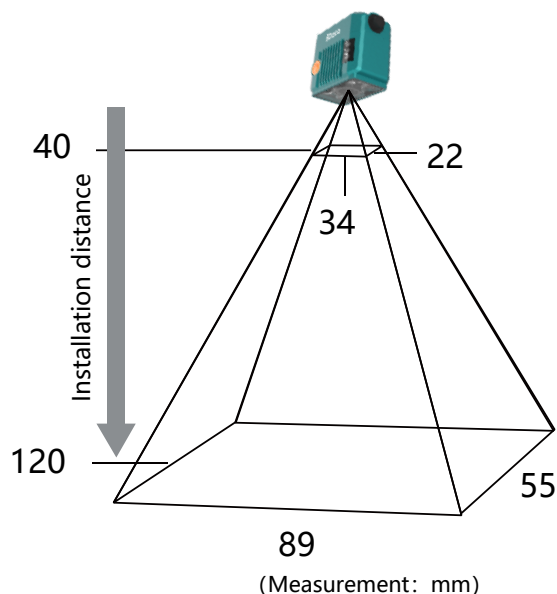
E-mail: sales@idataglobal.com

Website: www.idataglobal.com

DM2000 Technical Specifications

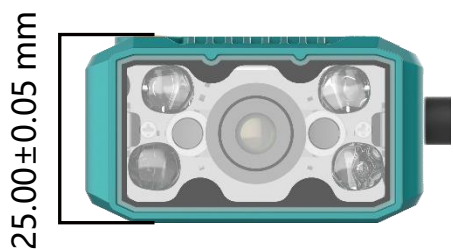
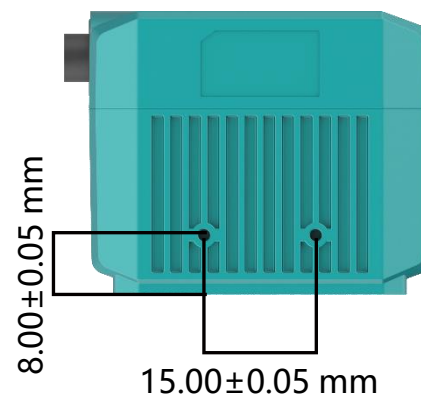
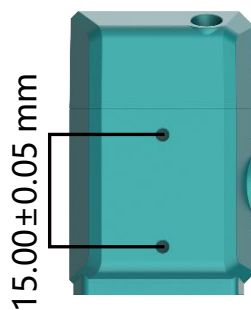
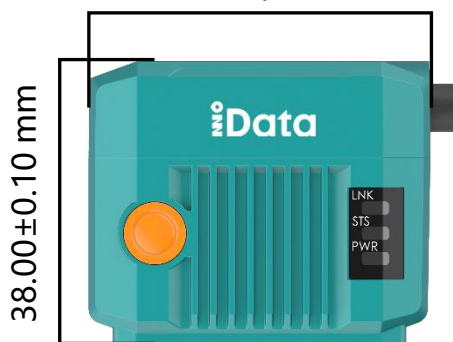
DM2000 FOV, DOF and Min. Reading Accuracy

Working distance (mm)	704x540 pixel & 1408x1024 pixel			
	Field of view		Min. reading accuracy	
	Horizontal (mm)	Vertical (mm)	2Dcode (mm)	1Dcode (mm)
40	34	22	0.057	0.014
80	63	39	0.106	0.027
120	89	55	0.150	0.038



DM2000 Structural Diagram

46.00±0.10 mm(without cable)



The information of iData products and software service may be subject to change without notice. Please contact your iData sales representative for the latest details.



Official Website

WUXI IDATA TECHNOLOGY COMPANY LTD.

Address: Floor 11, Building B1, Wuxi (Binhu) National Sensing Information Center,
No.999 Gaolang East Road, Wuxi City, Jiangsu Province, P.R.C.

E-mail: sales@idataglobal.com

Website: www.idataglobal.com