

A Higher Level of Performance

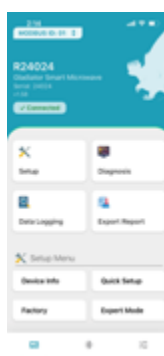


Data Sheet

Gladiator Gen 3 Microwave Switch Series

Beam Blockage Detection

Circular Polarisation



For more information, please visit >
www.hawkmeasurement.com

Overview

Gladiator Gen 3 Microwave Switch Series



Principle of Operation

A high power circular polarized Microwave pulse is emitted from the Sending unit to the Receiving unit in a transmission chain of approximately 100 pulses per second. If the path between the Sender and Receiver is blocked by any object or material which absorbs or reflects microwave energy the Receiving unit will no longer detect the complete transmission chain and indicate via Relay or 4-20mA output the change for automatic indication and process control requirements.

Typical Uses

- Blocked chute detection
- Collision detection
- Stacker / Reclaimer protection
- Shiploader protection
- Nucleonic switch replacement
- High level alarm / Low level alarm
- Truck / machine detection.

Function

The Gladiator Microwave Switch can be used for blockage detection, barrier detection, machine detection, collision detection for protection, point level measurement, and detection of objects or material between two points.

Primary Areas of Application

- Asphalt
- Brewing
- Cement
- Chemical
- Dairy
- Edible oil
- Fertilizer
- Food & Beverage
- Glass
- Mining & Metals
- Oil & Gas
- Packaging
- Paint
- Paper
- Pharmaceutical
- Plastics
- Power Generation
- Refining
- Semiconductor
- Sugar
- Textile
- Water & Wastewater.

Features

- State of the art Circular transmission
- Backwards compatible with all Gladiator Microwave generations
- Hazardous Dust Approved - IECEx & cETLus
- LCD push button setup / diagnostics on remote amplifier
- Simple sensitivity adjustment and calibration on Integral system
- Ranges up to 1200 meters (3937 ft)
- Simple '1-minute' setup application pre-sets
- Remote sensor or Integral 'all in one' types
- Bluetooth Communications with Android & iOS App
- Relay outputs: Integral (1 + failsafe) Remote (2)
- Remote test function
- Adjustable ON and OFF delays (0-20 sec)
- Remote 4G HAWKlink connection option
- Remote amplifier to sensor separation up to 500 meters (1640 ft)
- Bright visual status indication on sensors
- Independent housing alignment after mounting sensor.

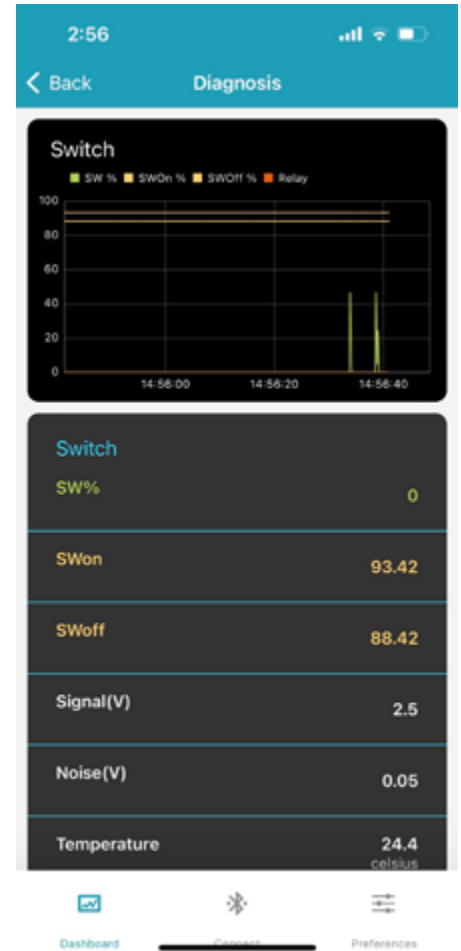
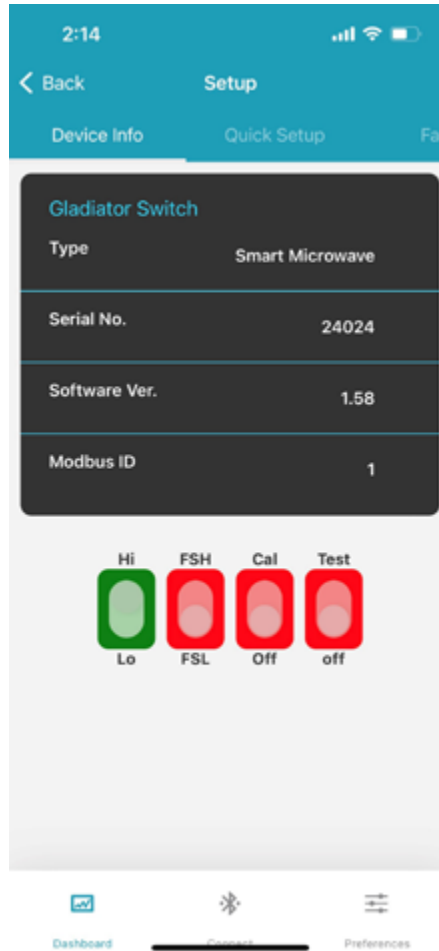
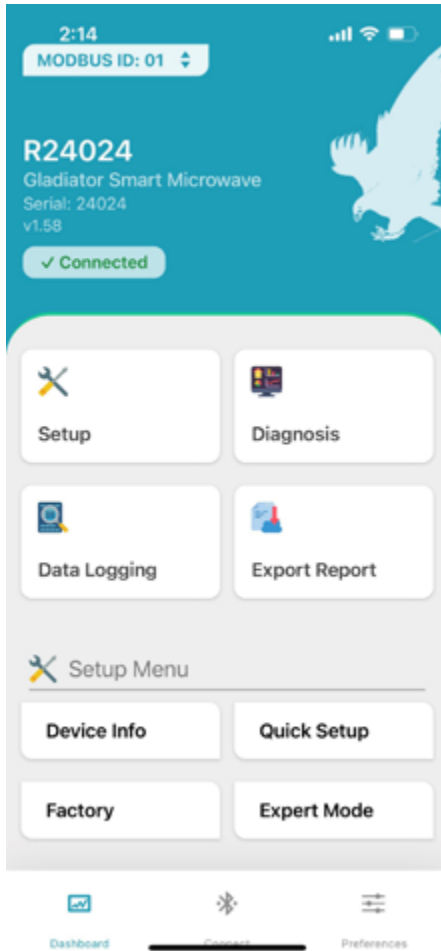
Bluetooth Connectivity & App

Gladiator Microwave Series



Android & iOS App Connectivity via Bluetooth

Full commissioning & service via Android & iOS App. Connectivity range up to 30m (line of sight).



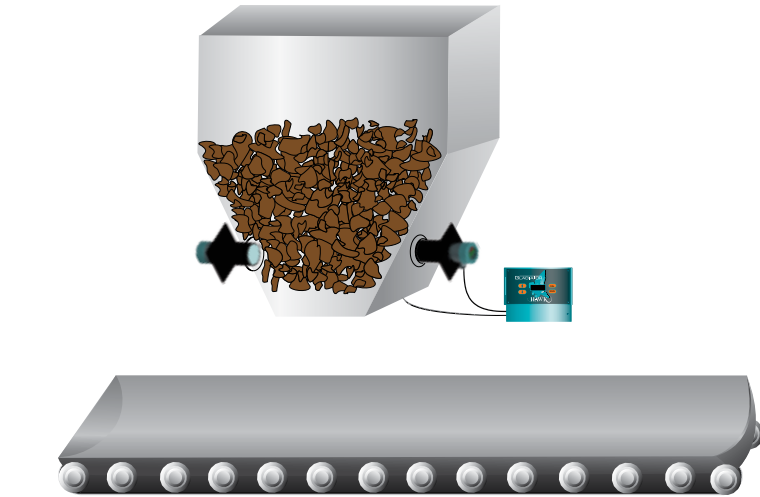
Typical Applications

Gladiator Gen 3 Microwave Switch Series



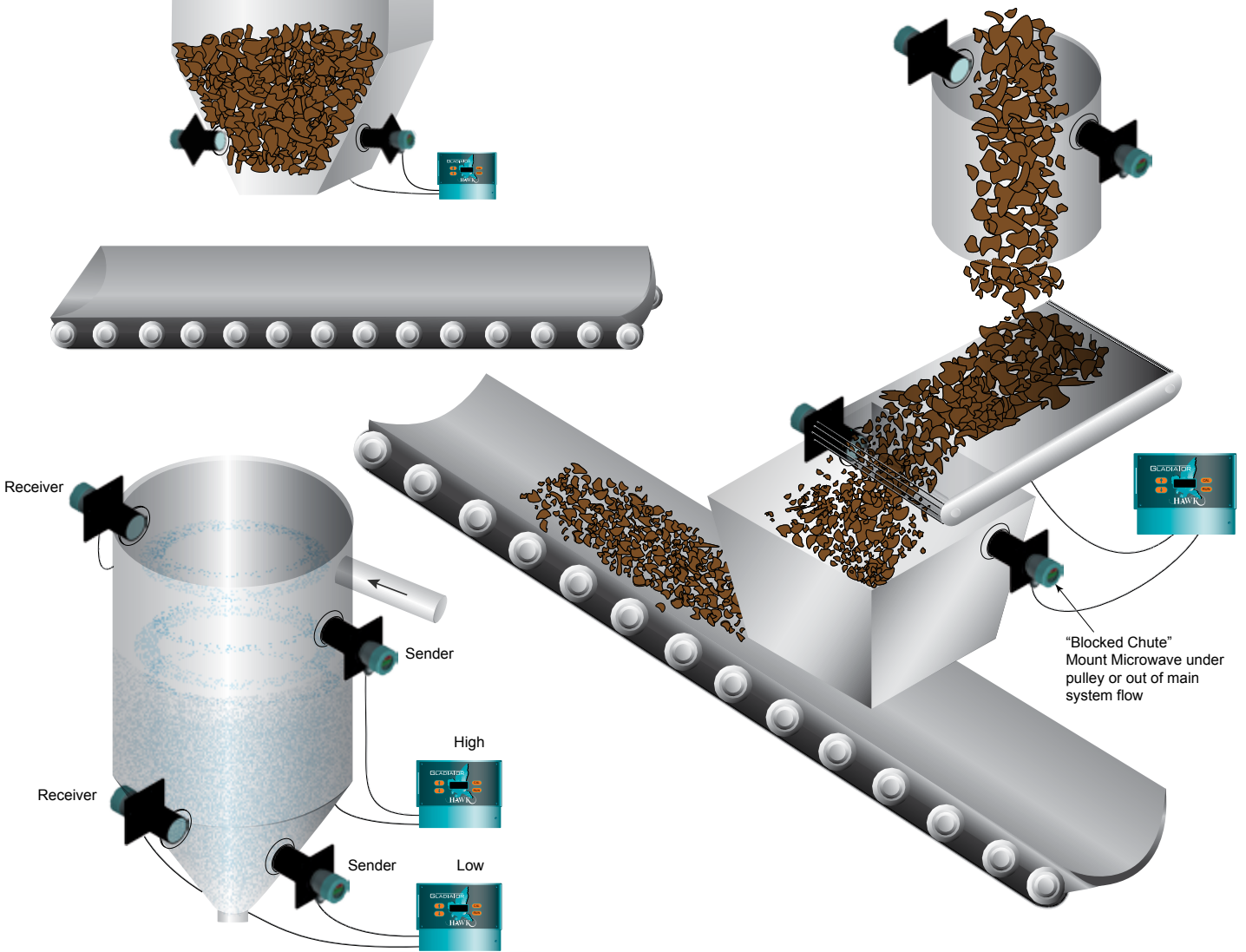
Conveyor Protection

Presence / Absence of material



Bulk Material Handling

High / Low blocked chute detection

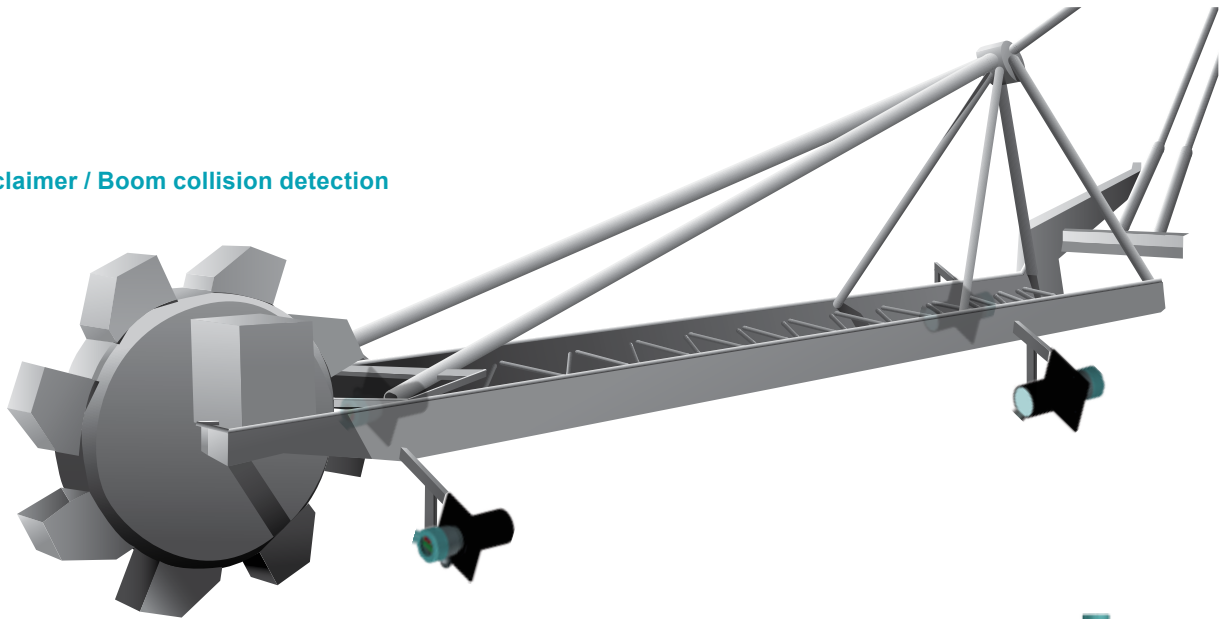


Typical Applications

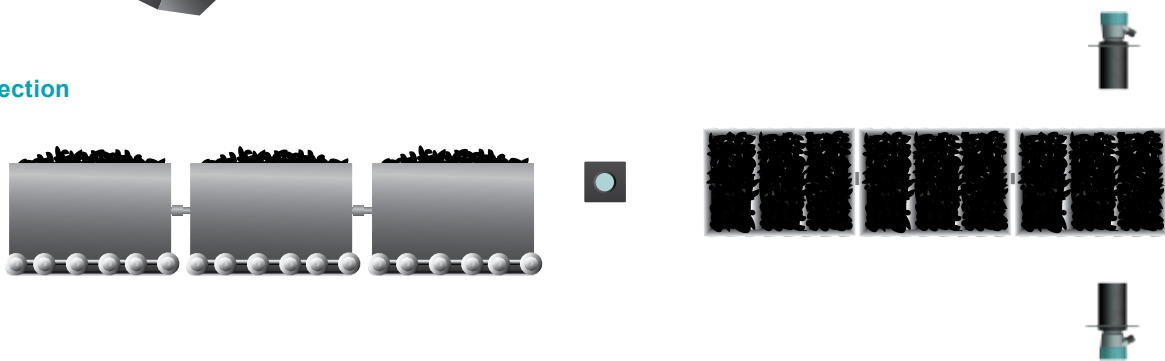
Gladiator Gen 3 Microwave Switch Series



Stacker / Reclaimer / Boom collision detection



Wagon Detection



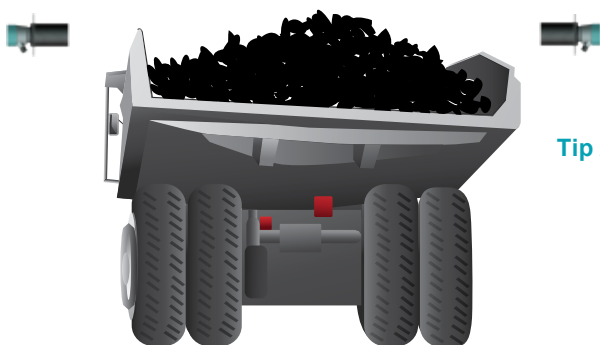
Truck Detection



Tip / Overload detection



Tip / Overload detection



Linear vs Circular Polarisation

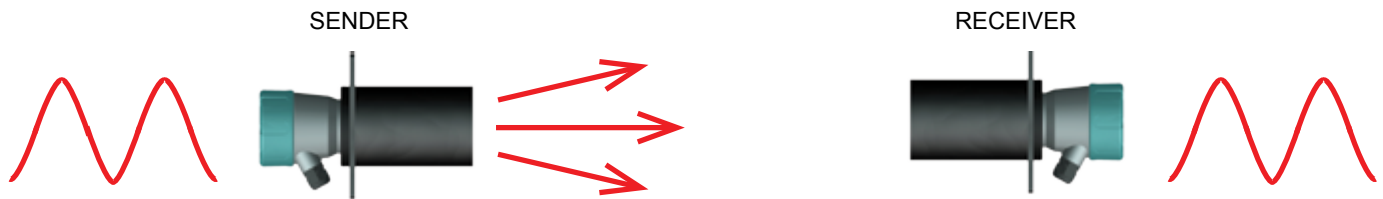
Gladiator Gen 3 Microwave Switch Series



Generation 1 Microwave - Linear Polarisation

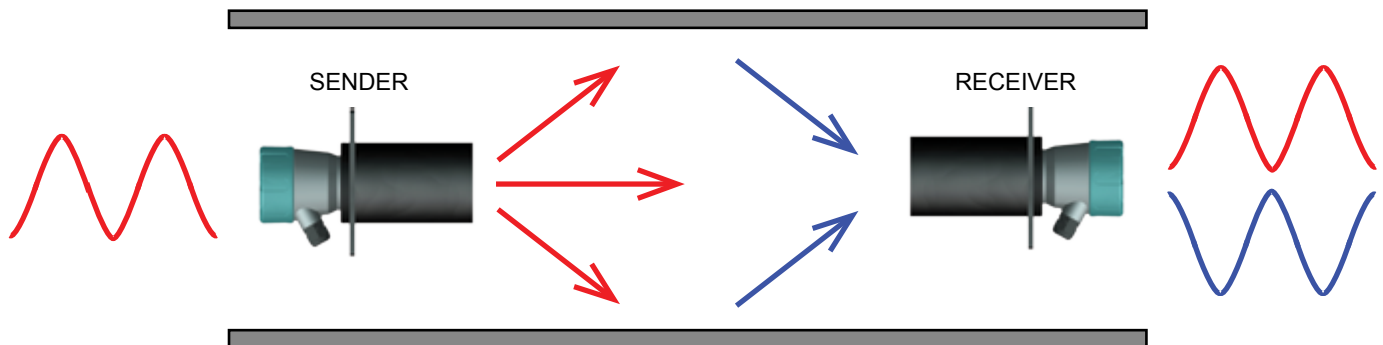
- Maximum Receiver Gain: 5000
- Maximum Distance : 100m
- Beam Angle: 40°

Perfect Condition: Tx Pulse = Rx Pulse

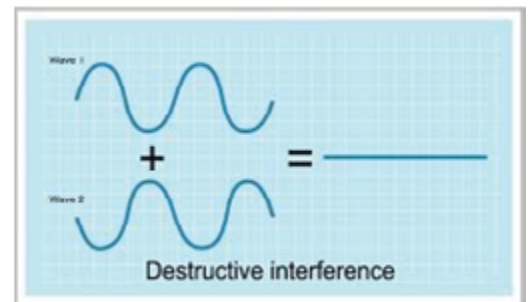
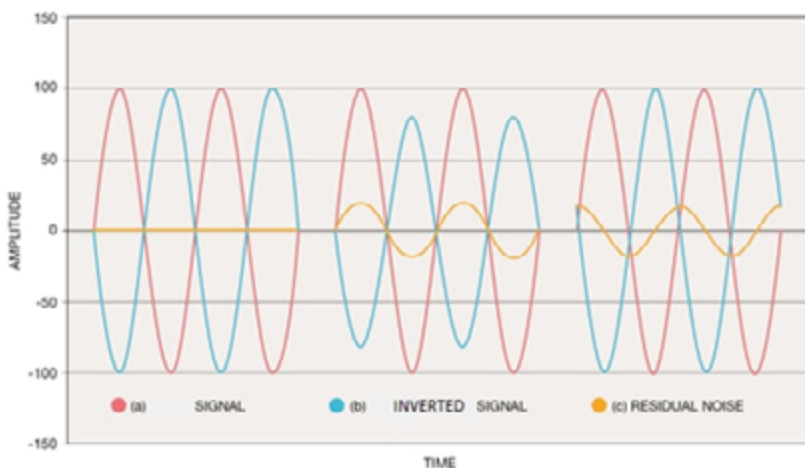


REFLECTIONS FROM CHUTE WALLS OR BOOM

Rx Pulse = Tx Pulse – Reflected Pulse



When a microwave transmitted signal comes in contact with an object, it will reflect. The amount of reflection and phase change depends on the objects dielectric constant. A linear receiver is not able to differentiate between the direct and the reflected signals; hence it will receive both and sum of the result is likely to be a smaller signal or worst-case no signal at all.



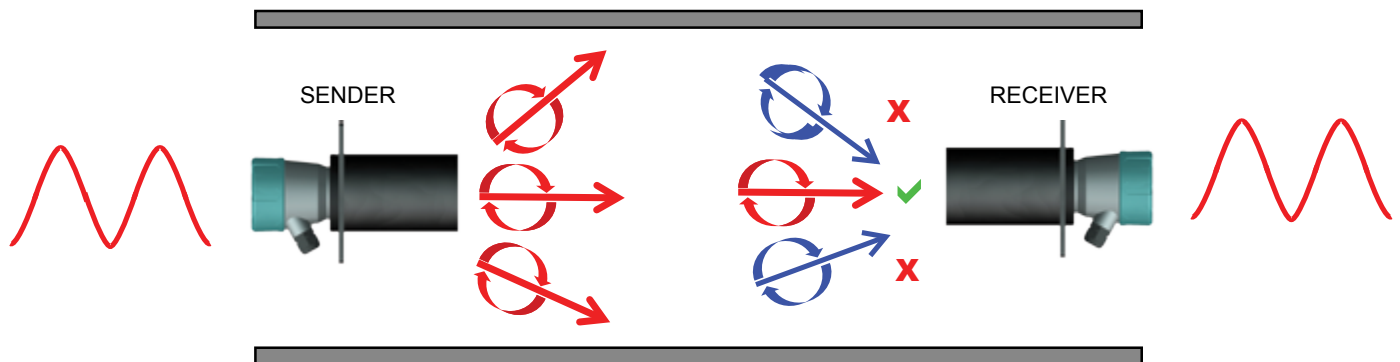
Linear vs Circular Polarisation

Gladiator Gen 3 Microwave Switch Series



Generation 3 Gladiator Microwave - Circular Polarisation

- Maximum Receiver Gain: 90,000
- Maximum Distance : 1200m
- Beam Angle: 25° (3 inch horn antenna)



Circular polarization is either right handed or left handed. The HAWK Gen 3 system is right hand circular polarized. When a Circular polarized microwave transmitted signal comes in contact with an object it will reflect a left hand circular polarized transmitted signal, will then change to right hand circular polarized signal on the next reflection and vice versa with every reflection. If it is a single or odd number of reflections it will be a left hand polarized signal and if it is a two or even number of reflection then it will be a right hand polarized signal. The amount of reflection and phase change depends on the objects dielectric constant.

A HAWK Gen 3 receiver is designed to only receive a right hand circular polarized signal which means single or odd number of reflections (left hand circular polarized signals) will be ignored by the microwave receiver.

The only time a circular polarized system can be affected is when two or even numbers of reflection occur where the time delay or phase shift will start to cancel part of the signal. Due to multiple reflections, the amount of energy is smaller compared to the direct signal. Hence a circular polarized system will receive more signal than a linear polarized system, reducing the possibility of false trips.

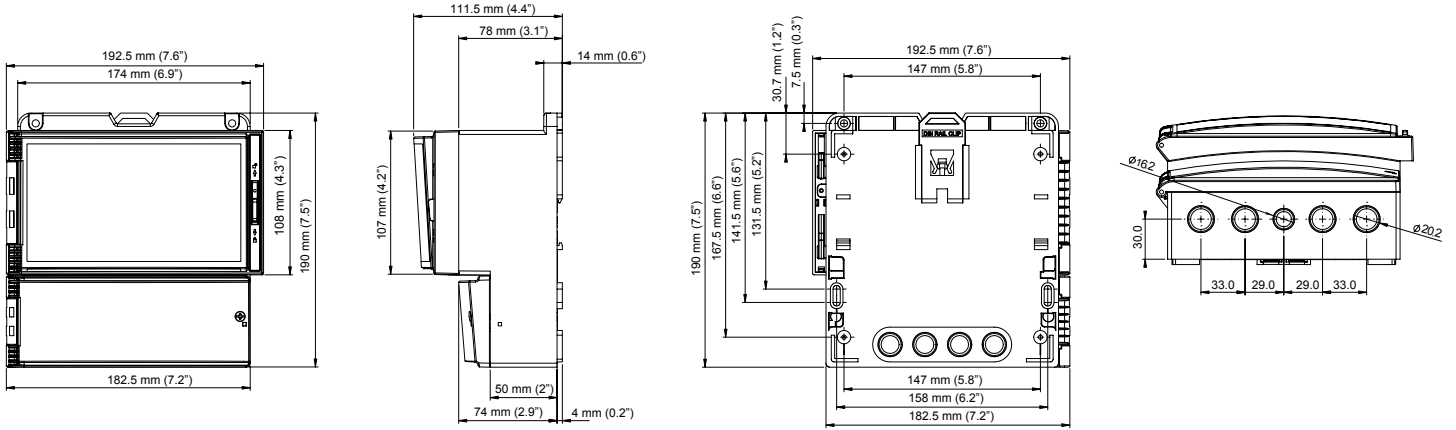
Dimensions

Gladiator Gen 3 Microwave Switch Series

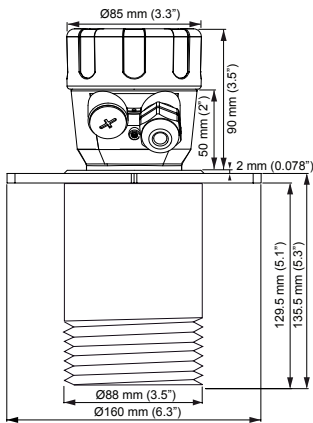


Remote Microwave System

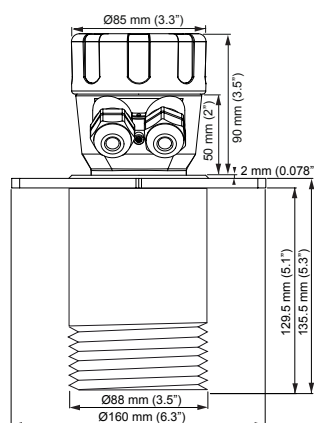
Remote Amplifier



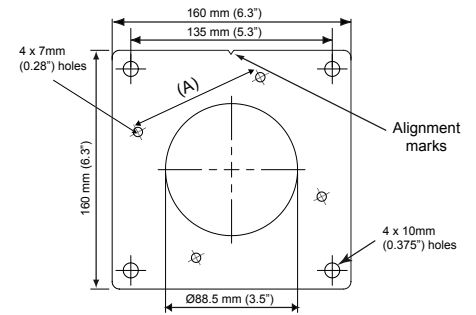
Remote Sender / Receiver



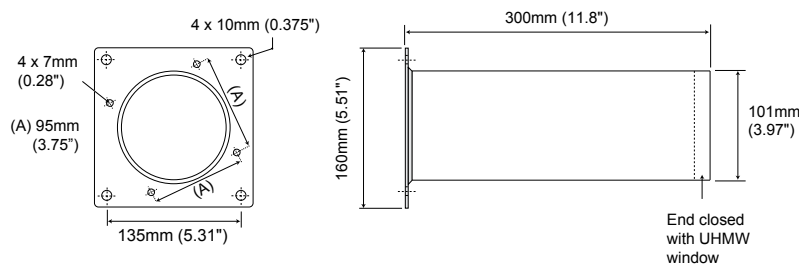
Integral Sender / Receiver



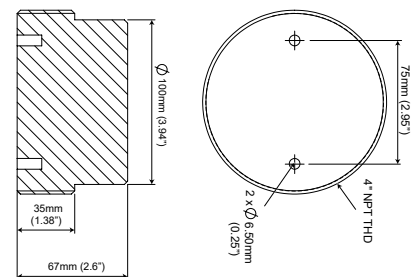
Mounting Bracket



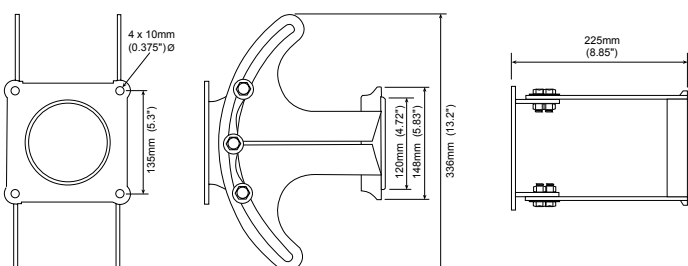
MA15 / MA25 Focaliser Tube (extension pipe)



MA20-P1

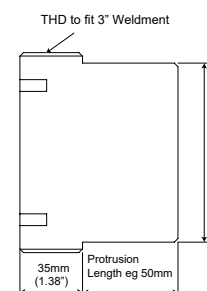


MA12 / MA13 Adjustable Mounting Bracket

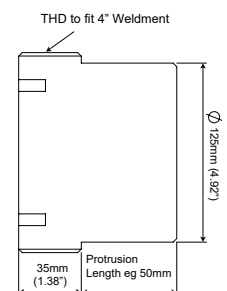


Protruding Windows

MA3-P50



MA4-P50

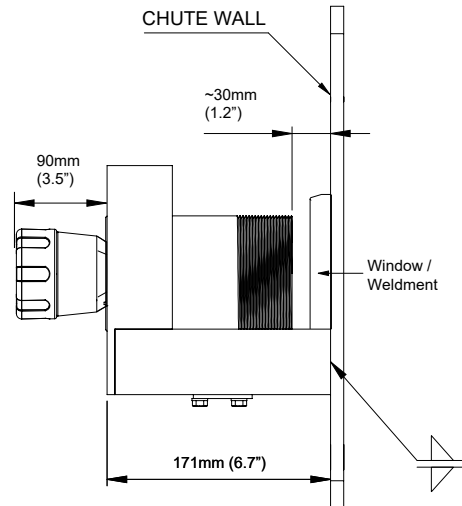
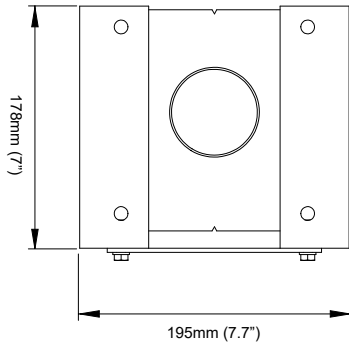


Dimensions

Gladiator Gen 3 Microwave Switch Series



Mounting Bracket MIC-3-BRACKET



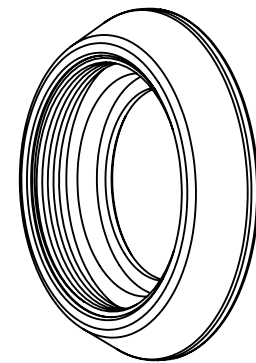
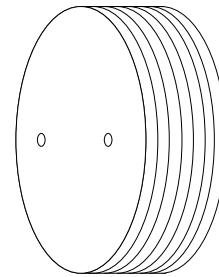
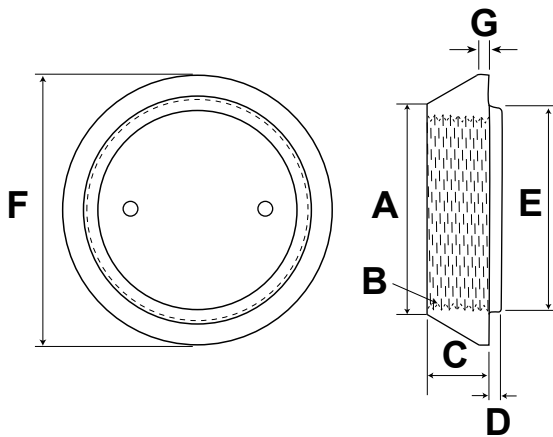
MA Series Weldments and Windows (UHMW / PTFE)

Weldment with UHMW / PTFE Windows

Weldment is welded to the vessel. Window threads into Weldment

Window

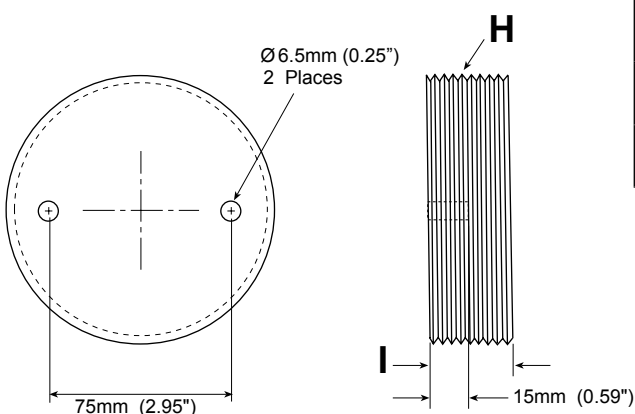
Weldment



Size	A	B	C	D	E	F	G
3"	100 (3.94")	3" NPT	22 (0.87")	5 (0.2")	92.5 (3.64")	118 (4.65")	4 (0.16")
4"	125 (4.92")	4" NPT	24.4 (0.96")	5 (0.2")	120 (4.72")	148 (5.83")	4 (0.16")
6"	190.4 (7.5")	6" NPT	40 (3.94")	5 (0.2")	175 (6.89")	223 (8.78")	11.2 (0.44")

Weldment / Window Parts			
Part Number	Size	Window	Weldment
MA0	3"		✓
MA3	3"	✓	✓
MA4	4"	✓	✓
MA5	6"	✓	✓
MA6	3"	✓	✓
MA7	4"	✓	✓
MA8	6"	✓	✓
MA18	4"		✓
MA19	3"		✓
MA20	4"	✓	
MA21	3"	✓	
MA22	4"		✓

UHMW / PTFE Window



Size	H	I
3"	3" NPT	28.7 (1.13")
4"	4" NPT	35 (1.38")
6"	6" NPT	40 (1.57")

Dimensions

Gladiator Gen 3 Microwave Switch Series

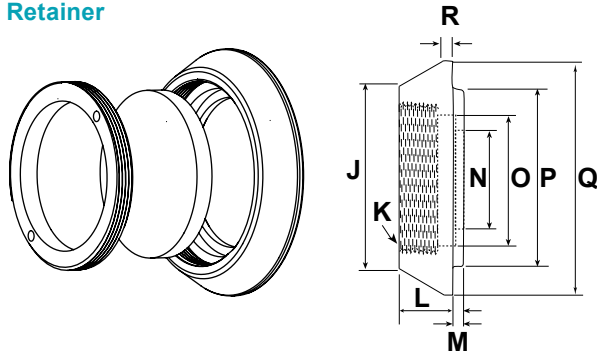


MA Series Weldments and Windows (Ceramic)

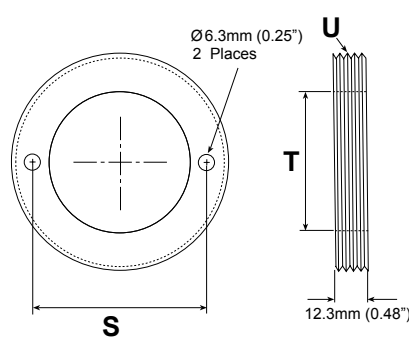
Weldment with Ceramic Windows

Weldment is welded to the vessel. Window is locked into Weldment with Locking Retainer

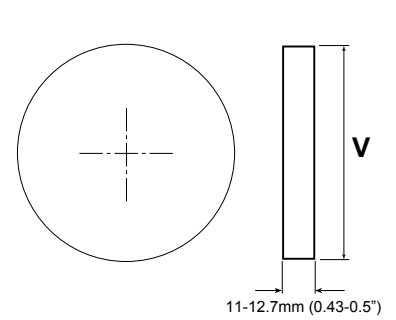
Locking Window Weldment Retainer



Locking Retainer



Ceramic Window



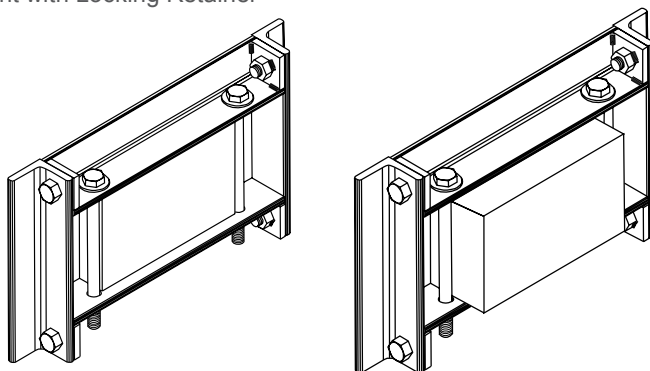
Size	J	K	L	M	N	O	P	Q	R	S	T	U	V
3"	100 (3.94")	3" NPT	22 (0.87")	5 (0.2")	65 (2.56")	75 (2.95")	92.5 (3.64")	118 (4.65")	4 (0.16")	75 (2.95")	65 (2.56")	3" NPT	74.5 (2.93")
4"	125 (4.92")	4" NPT	24.4 (0.96")	5 (0.2")	90 (3.54")	101 (3.98")	120 (4.72")	148 (5.83")	4 (0.16")	100 (3.94")	90 (3.54")	4" NPT	100.5 (3.96")

Weldment / Window Parts			
Part Number	Size	Window	Weldment
MA16	3"	✓	✓
MA17	4"	✓	✓

Weldments and Windows (Ceramic Tile & Firebrick Assemblies)

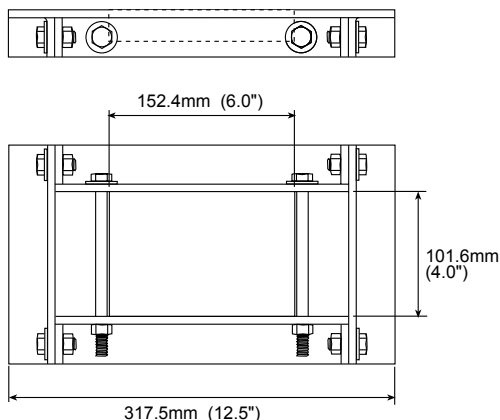
Weldment with Ceramic Windows

Weldment is welded to the vessel. Window is locked into Weldment with Locking Retainer

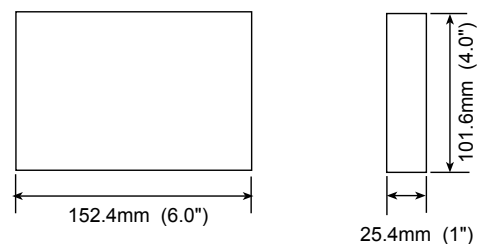


Weldment / Window Parts			
Part Number	Size	Window	Weldment
MA9	Special	✓	✓
MA10	Special	✓	✓
MA16	3"	✓	✓
MA17	4"	✓	✓

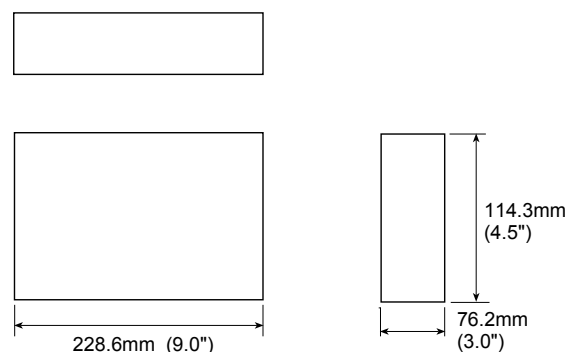
Mounting Assemblies



Ceramic Tile



Firebrick



Dimensions

Gladiator Microwave Series



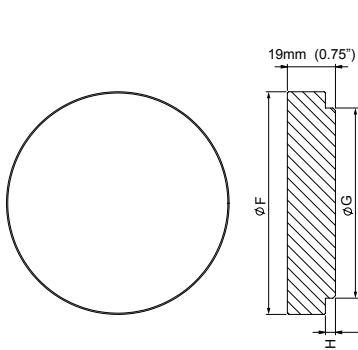
MD Series Weldments and Windows

Weldment with UHMW or PTFE Windows

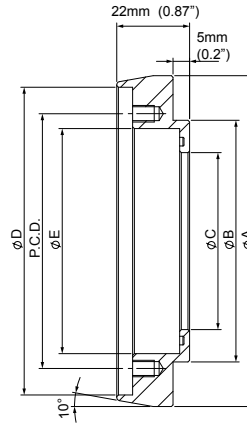
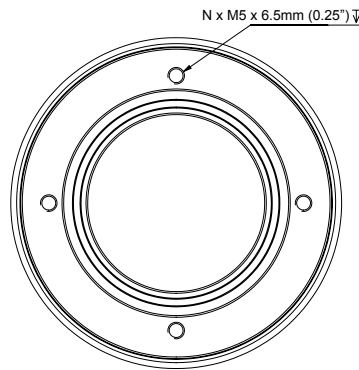
The Weldment is welded to the vessel. The Window locks into the weldment using a locking ring.

For Approval Option 2D & 3C Installations. Consult Safety Instructions for critical details.

UHMW / PTFE Window



Weldment



Assembled Piece



Part No ¹ .	Window Material	A		B		C		D		E		P.C.D		No. Holes
		mm	in	mm	in	mm	in	mm	in	mm	in	mm	in	
MD3-X	UHMW	122	4.8	93	3.7	77	3.0	115	4.5	90	3.5	99	3.9	4
MD4-X	UHMW	148	5.8	120	4.7	102	4.0	141	5.6	116	4.6	125	4.9	6
MD5-X	UHMW	203	8.0	175	6.9	153	6.0	196	7.7	171	6.7	180	7.1	6
MD6-X	PTFE	122	4.8	93	3.7	77	3.0	115	4.5	90	3.5	99	3.9	4
MD7-X	PTFE	148	5.8	120	4.7	102	4.0	141	5.6	116	4.6	125	4.9	6
MD8-X	PTFE	203	8.0	175	6.9	153	6.0	196	7.7	171	6.7	180	7.1	6

¹X = Weldment Material Selection

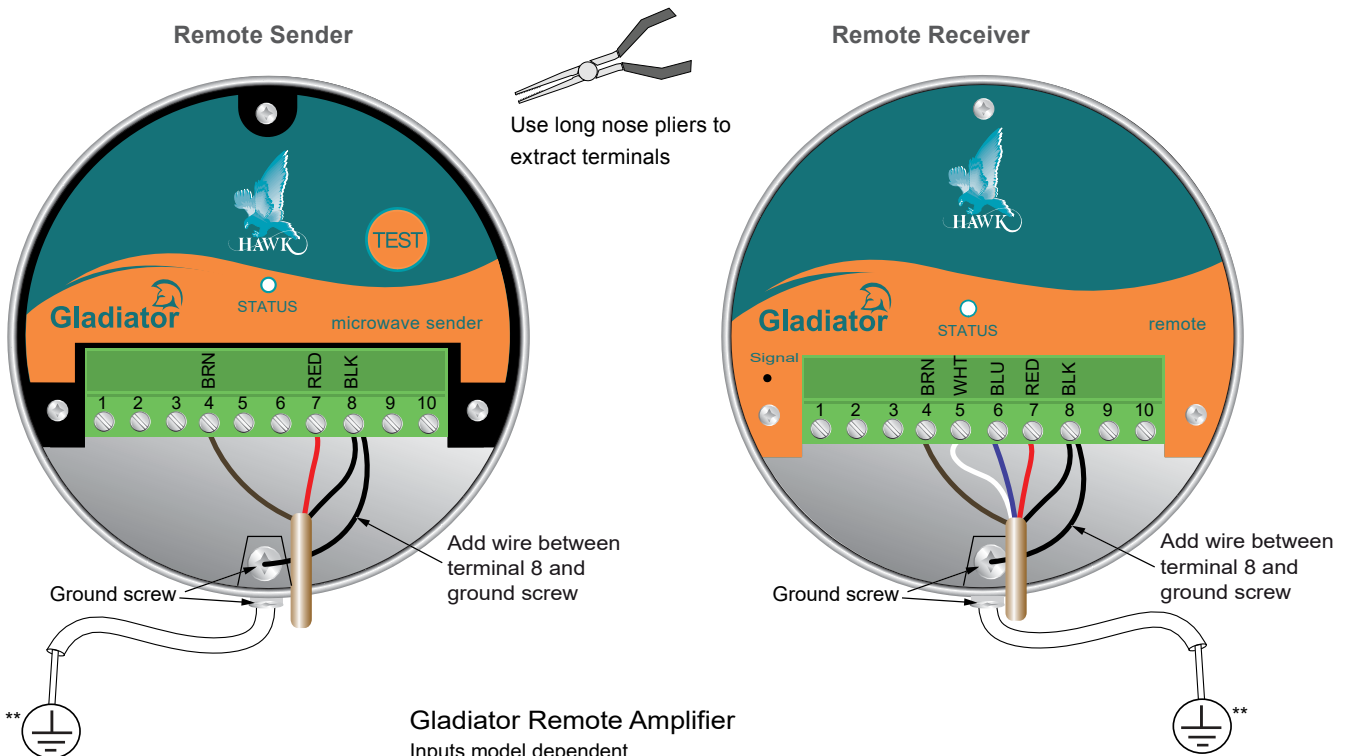
Part No ¹ .	Window Material	F		G		H		P.C.D		No. Holes
		mm	in	mm	in	mm	in	mm	in	
MD3-X	UHMW	89	3.5	76	3.0	4	1.6	99	3.9	4
MD4-X	UHMW	115	4.5	102	4.0	4	1.6	125	4.9	6
MD5-X	UHMW	170	6.7	153	6.0	4.5	1.8	180	7.1	6
MD6-X	PTFE	89	3.5	76	3.0	4	1.6	99	3.9	4
MD7-X	PTFE	115	4.5	102	4.0	4	1.6	125	4.9	6
MD8-X	PTFE	170	6.7	153	6.0	4.5	1.8	180	7.1	6

¹X = Weldment Material Selection



Remote System Connection - HAWK Supplied Cable

- The black wire of HAWK supplied cable comes with one end GND and the other GND / SHLD together.
- The GND / SHLD end is a larger cable which has been heat shrunk. The GND only end is the same size as the other cables.
- The GND / SHLD end must be connected to the amplifier.



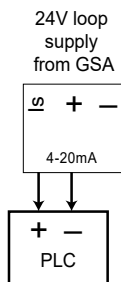
Remote Sender

Status LED

- Green when powered
- Blinks while working correctly
- Solid while not transmitting

TEST Button

- Press and hold to test level relay action



Gladiator Remote Amplifier

Inputs model dependent

			MIC-SENDER			SLAVE IN			MASTER OUT			RELAY 1			RELAY 2		
			RED	BLACK	BROWN	SLAVE IN	MASTER OUT	TEST IN	NC	COM	NO	NC	COM	NO			
<input type="checkbox"/>	<input type="checkbox"/>	<input type="checkbox"/>	<input type="checkbox"/>	<input type="checkbox"/>	<input type="checkbox"/>	<input type="checkbox"/>	<input type="checkbox"/>	<input type="checkbox"/>	<input type="checkbox"/>	<input type="checkbox"/>	<input type="checkbox"/>	<input type="checkbox"/>	<input type="checkbox"/>	<input type="checkbox"/>	<input type="checkbox"/>	<input type="checkbox"/>	<input type="checkbox"/>
16	17	18	19	20	21	22	23	24	25	26	27	28	29	30			
Sender																	
<input type="checkbox"/>	<input type="checkbox"/>	<input type="checkbox"/>	<input type="checkbox"/>	<input type="checkbox"/>	<input type="checkbox"/>	<input type="checkbox"/>	<input type="checkbox"/>	<input type="checkbox"/>	<input type="checkbox"/>	<input type="checkbox"/>	<input type="checkbox"/>	<input type="checkbox"/>	<input type="checkbox"/>	<input type="checkbox"/>	<input type="checkbox"/>	<input type="checkbox"/>	<input type="checkbox"/>
1	2	3	4	5	6	7	8	9	10	11	12	13	14	15			
Remote Receiver																	
			RED	BLACK	BLUE	WHITE	BROWN	B	A	-	+	⊕	⊖	⏏			
			SENSOR				COMMS		DC-In		AC-In						

Remote Receiver

Status LED

- Green when powered
- High illumination = strong signal
- Low illumination = weak signal

Signal Contact

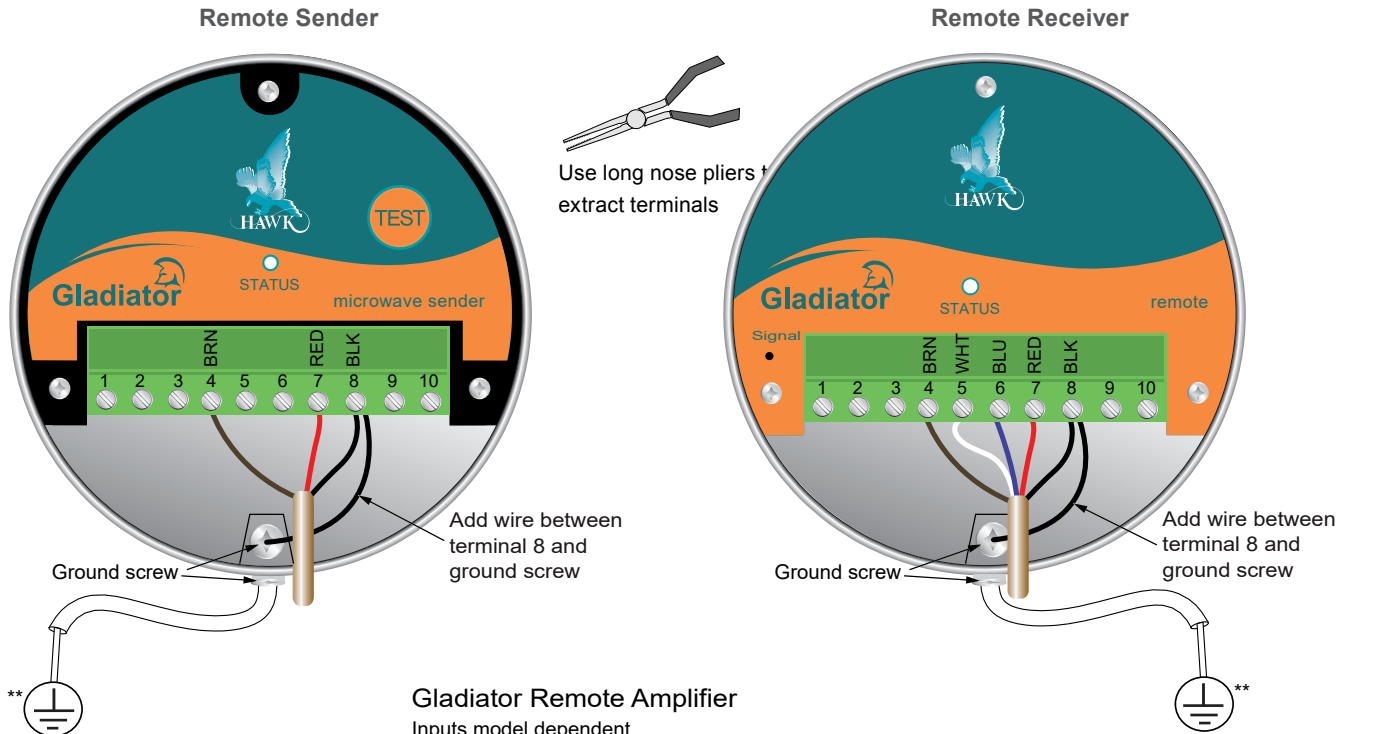
- Signal can be read with voltmeter across Signal contact point and earth screw (or other ground reference)
- 2.4-2.5V is full signal. 0V is no signal

*AC-In is replaced by 36-60VDC with Power Input Option 'C'.

**Ground the housing to vessel if vessel is metallic. Ground the housing to plant ground if vessel is non-metallic.



Remote System Connection - Customer Supplied Cable



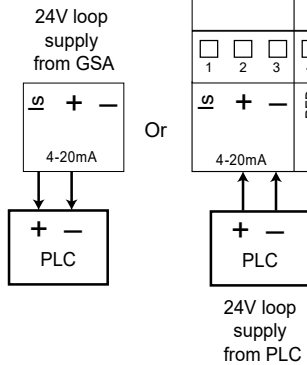
Remote Sender

Status LED

- Green when powered
- Blinks while working correctly
- Solid while not transmitting

TEST Button

- Press and hold to test level relay action



Gladiator Remote Amplifier

Inputs model dependent

			MIC-SENDER			SLAVE IN			MASTER OUT			RELAY 1			RELAY 2		
			RED	BLACK	BROWN	SLAVE IN	MASTER OUT	TEST IN	NC	COM	NO	NC	COM	NO			
<input type="checkbox"/>	<input type="checkbox"/>	<input type="checkbox"/>	<input type="checkbox"/>	<input type="checkbox"/>	<input type="checkbox"/>	<input type="checkbox"/>	<input type="checkbox"/>	<input type="checkbox"/>	<input type="checkbox"/>	<input type="checkbox"/>	<input type="checkbox"/>	<input type="checkbox"/>	<input type="checkbox"/>	<input type="checkbox"/>			
16	17	18	19	20	21	22	23	24	25	26	27	28	29	30			
Sender																	
<input type="checkbox"/>	<input type="checkbox"/>	<input type="checkbox"/>	<input type="checkbox"/>	<input type="checkbox"/>	<input type="checkbox"/>	<input type="checkbox"/>	<input type="checkbox"/>	<input type="checkbox"/>	<input type="checkbox"/>	<input type="checkbox"/>	<input type="checkbox"/>	<input type="checkbox"/>	<input type="checkbox"/>	<input type="checkbox"/>			
1	2	3	4	5	6	7	8	9	10	11	12	13	14	15			
			RED	BLACK	BLUE	WHITE	BROWN	B	A	-	+	⊕	N	L1			
			Remote Receiver				COMMS			DC-In			AC-In				

Remote Receiver

Status LED

- Green when powered
- High illumination = strong signal
- Low illumination = weak signal

Signal Contact

- Signal can be read with voltmeter across Signal contact point and earth screw (or other ground reference)
- 2.4-2.5V is full signal. 0V is no signal

*AC-In is replaced by 36-60VDC with Power Input Option 'C'.

**Ground the housing to vessel if vessel is metallic. Ground the housing to plant ground if vessel is non-metallic.

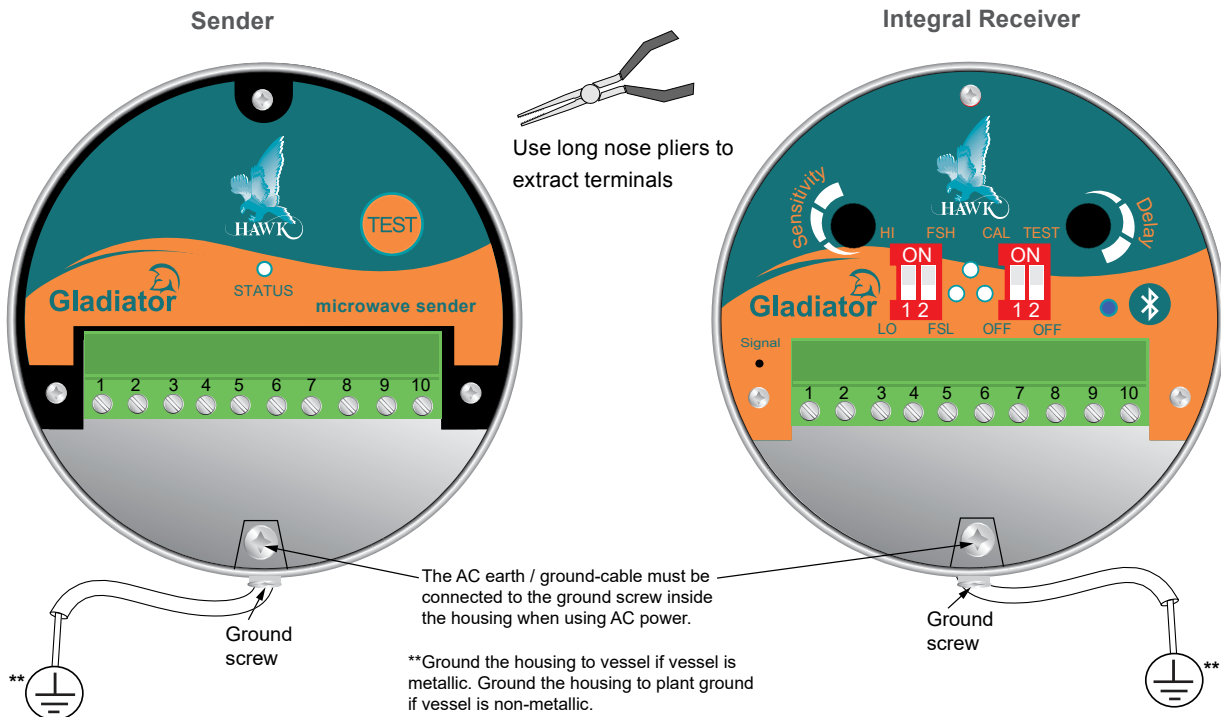
Alternate cable type between Amplifier and Sensors

- 6 or 8 conductor (5 used) shielded twisted pair instrument cable.
- Conductor size dependent on cable length.
- BELDEN 3120A, DEKORON or equivalent.
- Max: BELDEN 3120A = 500m (1640 ft). 3 pairs, 1 conductor not used.

Alternate Cable Colour Equivalents			
Pairs	HAWK	Belden 3120A	Dekoron
Pair 1	Red Black	Red Black	White 1 Black 1
Pair 2	White Blue	Yellow Green	White 2 Black 2
Pair 3	Brown ---	Brown White (not used)	White 3 Black 3 (not used)
Pair 4	not used	not used	not used



Integral System Connection



Remote Sender

Status LED

- Green when powered
- Blinks while working correctly
- Solid while not transmitting

TEST Button

- Press and hold to test level relay action

Integral Receiver

Status LED

- Green LED: Indicates received signal strength
- High illumination = strong signal
- Low illumination = weak signal
- Red LED: Indicates Relay status
- Blue LED: Flashes during calibration. Stays illuminated if calibration fails

Signal Contact

- Signal can be read with voltmeter across Signal contact point and earth screw (or other ground reference)
- 2.4-2.5V is full signal. 0V is no signal

SENDER TERMINAL LAYOUT

						DC-IN		AC-IN	
1.	2.	3.	4.	5.	6.	7.	8.	9.	10.
						+	-	N	L1
						12-30VDC		80-260VAC	

RECEIVER TERMINAL LAYOUT

RELAY				COMMS		DC-IN		AC-IN	
1.	2.	3.	4.	5.	6.	7.	8.	9.	10.
NC	COM	NO	Test	A	B	+	-	N	L1
				RS 485		12-30VDC		80-260VAC	

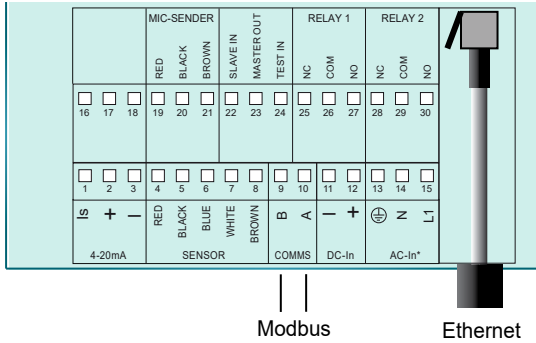
Note:

AC power terminals may only be used when universal AC power supply option has been selected - see part numbers - AC terminals have no function in products without universal AC power option.

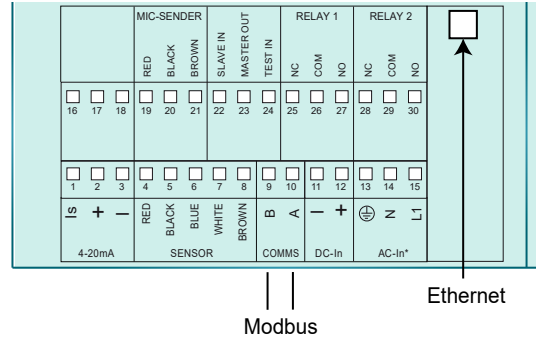


Modbus / Modbus over Ethernet TCP/IP

Unit with External Ethernet Connector



Unit with Internal Ethernet Connector

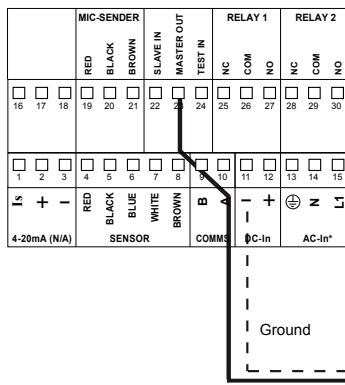


Cross-Talk Prevention / Sequencer Wiring

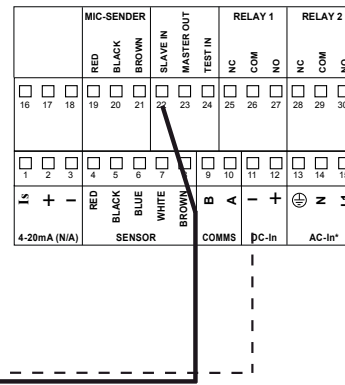
- Up to four remote Microwave systems can be set up for anti-crosstalk.
- For two systems, one can be set to operating mode 'Master' and the other to operating mode 'Slave'
- For up to four systems, a dedicated Sequencing control unit must be used with the four systems set to operating mode 'Slave'

Master / Slave Wiring

GLADIATOR MICROWAVE REMOTE AMPLIFIER - MASTER

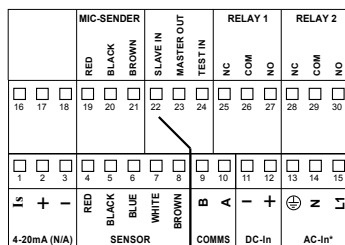


GLADIATOR MICROWAVE REMOTE AMPLIFIER - SLAVE

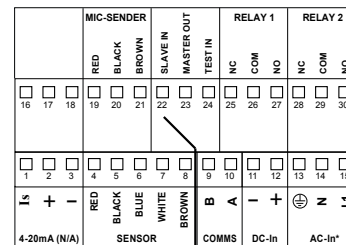


Sequencer / Slave Wiring

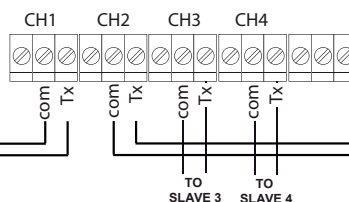
GLADIATOR MICROWAVE REMOTE AMPLIFIER - SLAVE



GLADIATOR MICROWAVE REMOTE AMPLIFIER - SLAVE



GMSEQ MICROWAVE SEQUENCER



Part Numbering

Gladiator Gen 3 Microwave Switch Series



Remote Version

Remote Amplifier

GSA Gladiator Amplifier (compatible with all Gladiator products), Modbus

Housing

S Polycarbonate

Power Supply

B 12-30 VDC

C 36-60VDC

U 12-30VDC and 90-260VAC

Output Options

S 2 x SPDT relays

X 2 x SPDT Relays with 4-20mA output

E 2 x SPDT Relays with Modbus Over Ethernet

R 2 x SPDT Relays with Modbus Over Wi-Fi

B 2 x SPDT Relays with Modbus Over Bluetooth

Approval

A22 ATEX Grp II Cat 3 GD T75°C IP67 Tamb -40°C to 65°C

3C For use with cETLus approved Sender / Receiver (Power Supply option B only, Output Option S, X, E, R only)*

**Consult Safety Instructions.*

Amplifier must be in a non-hazardous area.

GSA S U S

Remote Sender / Receiver

GMSB Gladiator Microwave Sender

GMSL Gladiator Microwave Sender with Low Power Output

GMRR Gladiator Microwave Remote Receiver

Frequency

1 10.525 GHz

Facing Material Selection

0 UHMW Polyethylene

1 PTFE Teflon

Housing Material

1 Aluminium / Mild Steel

2 316L Stainless Steel

Output Option

X Not Required - Outputs generated from GSA amplifier

Approval Standard

X Not Required

A22 ATEX Grp II Cat 3 GD T75°C IP67 Tamb -40°C to 65°C

2D Facing Material: 0 (UHMW) IECEx ta tb IIIC T* Da Db Tamb = -30°C to +55°C

Facing Material: 1 (PTFE) IECEx ta tb IIIC T* Da Db Tamb = -30°C to +80°C

3C cETLus (requires Remote Amplifier with Approval option 3C)

Ex ta/tb IIIC T* Da/Db

Zone 20/21, AEx ta/tb IIIC T* Da/Db

Sensor Face: Class II, III Div. 1, Groups EFG, T*

Sensor Body: Class II, III Div. 2, Groups EFG, T*

GMSB 1 0 1 X X

**Consult Safety Instructions, Temperature Code information for temperature and other ratings*

Part Numbering

Gladiator Microwave Series



Remote Connection Cable

CA-GMR Pre-cut cable for remote sender or receiver

10	10m	cable
20	20m	cable
30	30m	cable
50	50m	cable
100	100m	cable

Lengths above 100m available via special order

CA-GMR 10

Integral Version

GMS	Gladiator Microwave Sender
GMSR	Gladiator Microwave Smart (Integral) Receiver
GMSL	Gladiator Microwave Smart (Integral) with Low Power Output
GMSRQ	Gladiator Microwave Smart (Integral) Receiver with anti-crosstalk Sequenced software. Requires GMSEQ Sequencer

Power Supply

B	12-30 VDC
U	12-30VDC and 90-260VAC

Frequency

1	10.525 GHz
---	------------

Transducer Facing Material Selection

0	UHMW Polyethylene
1	PTFE Teflon

Transducer Housing Material

1	Aluminium / Mild Steel
2	316L Stainless Steel

Output Option

X	Not Required for Sender units
S	1 x SPDT Relay with Modbus. Receiver Units only.
B	1 x SPDT Relay with Bluetooth & Modbus. Receiver Units only.

Approval Standard

X	Not Required
A22	ATEX Grp II Cat 3 GD T75°C IP67 Tamb = -40°C to 65°C
2D	Facing Material: 0 (UHMW) IECEx ta tb IIIC T* Da Db Tamb = -30°C to +55°C Facing Material: 1 (PTFE) IECEx ta tb IIIC T* Da Db Tamb = -30°C to +80°C
3C	cETLus (power supply option B only, Output option X, S only) Ex ta/tb IIIC T* Da/Db Zone 20/21, AEx ta/tb IIIC T* Da/Db Sensor Face: Class II, III Div. 1, Groups EFG, T* Sensor Body: Class II, III Div. 2, Groups EFG, T*

GMSR B 1 0 1 S X

**Consult Safety Instructions, Temperature Code information for temperature and other ratings*

Part Numbering

Gladiator Gen 3 Microwave Switch Series



MA Series Mounting Accessories

MA Standard Mounting Accessories

Type

0	3" Weldment, each
3	3" UHMW Window & Weldment each
4	4" UHMW Window & Weldment each
5	6" UHMW Window & Weldment each
6	3" PTFE Window & Weldment each
7	4" PTFE Window & Weldment each
8	6" PTFE Window & Weldment each
9	9' x 4,5" fire brick assembly each
10	6" x 4" ceramic brick assembly each
11	Shock/vibration insulation mounts pack of 4
12	Adjustable mounting bracket (UHMW window) each
13	Adjustable mounting bracket (PTFE window) each
15	Flanged Focaliser tube (extension pipe) (mild steel)
16	3" Ceramic Window & Weldment each
17	4" Ceramic Window & 4" Weldment each
18	4" Microwave Weldment only each
19	3" Stainless steel Weldment only for UHMW each
20	4" UHMW Window only each
21	3" UHMW Window only each
22	4" Stainless steel Weldment only for UHMW each
25	Flanged Focaliser tube (extension pipe) (316L)
20-P1	4" UHMW Window with 40mm insertion depth (fits 4" Weldment)

MA 4

Microwave Sequencer

GMSEQ Gladiator Microwave Sequencer

Power Supply

- B 12-30VDC
- C 36-60VDC
- U 12-30VDC and 90-260VAC

GMSEQ U

Mounting Bracket for Sender / Receiver

MIC-3-BRACKET

(Powder Coated Mild Steel)

HAWKlink-USB HAWKlink USB PC connector for GosHawkII

MD Series Mounting Accessories - Kit

For Approval Option 2D & 3C Installations. Consult Safety Instructions for critical details.

MD Mounting Accessories Kit

Window Facing Material

3	3" UHMW Window (-30°C to +75°C)
4	4" UHMW Window (-30°C to +75°C)
5	6" UHMW Window (-30°C to +75°C)
6	3" PTFE Window (-30°C to +200°C)
7	4" PTFE Window (-30°C to +200°C)
8	6" PTFE Window (-30°C to +200°C)
-	

Weldment Material

- A SS304
- S SS316
- M Mild Steel

MD 3 - A

Protruding Window / Weldments

Used to extend through wall / liner cavities and extend beyond build up

- MA3-P50** - MA3 with 50mm protrusion
- MA4-P50** - MA4 with 50mm protrusion
- MA20-P50** - MA20 with 50mm protrusion
- MA21-P50** - MA21 with 50mm protrusion

50mm is standard. Other lengths available.

HAWKLink Modem

Model

HL HAWKLink

Type

- R Remote stand alone system

Power Supply

- U 12-30VDC and 90-260VAC

Network Type

- G4 4G

Simcard

- S3 Australian Simcard expires after 3 month
- S12 Australian Simcard expires after 12 month
- X Not Required (customer supplied data enabled simcard)

HL R U G4 S3

Part Numbering

Gladiator Gen 3 Microwave Switch Series



MD Series Mounting Accessories - Parts

For Approval Option 2D & 3C Installations. Consult Safety Instructions for critical details.

BASE Weldment Only

-

Weldment Size

- MD3 Matches MD3 & MD6
- MD4 Matches MD4 & MD7
- MD5 Matches MD5 & MD8

-

Material

- A SS304
- S SS316
- M Mild Steel

WIN Window only

-

Window Facing Material

- MD3 UHMW for MD3 (-30°C to +75°C)
- MD4 UHMW for MD4 (-30°C to +75°C)
- MD5 UHMW for MD5 (-30°C to +75°C)
- MD6 PTFE for MD6 (-30°C to +200°C)
- MD7 PTFE for MD7 (-30°C to +200°C)
- MD8 PTFE for MD8 (-30°C to +200°C)

WIN - MD3

BASE - MD3 - A

LRING Locking Ring Only

-

Ring Size

- MD3 Matches MD3 & MD6
- MD4 Matches MD4 & MD7
- MD5 Matches MD5 & MD8

-

Material

- A SS304
- S SS316
- M Mild Steel

LRING - MD3 - A

MD Series Part Combinations

Full Kit ¹	Size	Window	Weldment ¹	Locking Ring ¹
MD3-X	3"	WIN-MD3	BASE-MD3-X	LRING-MD3-X
MD4-X	4"	WIN-MD4	BASE-MD4-X	LRING-MD4-X
MD5 -X	6"	WIN-MD5	BASE-MD5-X	LRING-MD5-X
MD6-X	3"	WIN-MD6	BASE-MD6-X	LRING-MD6-X
MD7-X	4"	WIN-MD7	BASE-MD7-X	LRING-MD7-X
MD8-X	6"	WIN-MD8	BASE-MD8-X	LRING-MD8-X

¹X = Material Selection

Specifications

Gladiator Gen 3 Microwave Switch Series



Operating Voltage

- Integral 12-30VDC / Remote 12-30VDC (residual ripple no greater than 100mV)
- Integral 80-260VAC / Remote 90-260VAC 50 / 60Hz
- Remote 36-60VDC

Power Consumption

- <0.8W @ 24VDC
- <5VA @ 240VAC
- <6W @ 48VDC
- <3VA @ 115VAC

Communications

- GosHawk, Modbus
- Modbus over Ethernet TCP/IP
- 4-20mA
- Bluetooth (v5.2), Up to 30m (98ft) range with direct line of sight with Android & iOS App

Relay Output: (1) Integral (2) Remote

- Form 'C' (SPDT) contacts, rated 5A at 240VAC resistive
- Remote fail-safe test facility for one relay.

Operating Temperature (Electronics)

- Remote Amplifier -40°C (-40°F) to 80°C (176°F)
- Integral Units -30°C (-20°F) to 65°C (150°F)*
- Remote Sensors -30°C (-20°F) to 65°C (150°F)*.

*For higher temperature applications, remote mounting with refractory windows is necessary.

Maximum Temperature (Mounting Accessories)

- 316L parts: 800°C
- Mild steel parts: 500°C
- Ceramic parts (alumina ceramic 95%) -50 to 800°C
- Teflon parts: 250°C
- UHMW parts: 80°C
- MD Weldment O-ring seals: NBR (Nitrile) 90°C (194°F). O-ring can be replaced with appropriate material for application.

Power Density

- Rated from emitter to receiver at approximately 20μW/cm²
- Complies with FCC Title Rules Part 15 (Beam Blockage)
- Caution sign posting not required.

Transmitted Signal

- Circular transmission polarity
- Frequency: 10.525GHz
- Power: +20dBm / 100mW
- Sensitivity -95dBm
- Beam width 25°.a

Fail-Safe

- Selectable - presence or absence of material
- High level fail-safe: relay is activated when material is present
- Low level fail-safe: relay is activated when no material is present.

Range

- Maximum range under ideal conditions: 1200m (3937 ft)
 - Minimum range under ideal conditions: 10cm (4 inches).
- Note: Minimum ranges are dependent on application conductivity.*

Sender / Receiver to Amplifier Separation

- Up to 500m (1640ft) using specified extension cable.

Alternate Cable Type Between Amplifier and Sensors

- 6 or 8 conductor (5 used) shielded twisted pair instrument cable
- Conductor size dependent on cable length
- BELDEN 3120A, DEKORON or equivalent
- Max: BELDEN 3120A = 500m (1640 ft). 3 pairs, 1 conductor not used
- Max: DEKORON IED183AA004 = 350m (1150 ft). 4 pairs, 3 conductors not used.

Maximum Operating Pressure

- 6 BAR

Display (Remote version only)

- 2 line x 12 character alphanumeric LCD
- Backlight standard.

Memory - Remote

- Non-Volatile (No backup battery required)
- >10 years data retention.

Enclosure Sealing

- Integral Sensors IP66/67
- Remote Electronics: Rated IP65 (NEMA 4x). Designed for and tested to pass IP66 hose and IP67 submergence standards
- Remote Sensors IP66/67

Cable Entries

- Remote Sensors: 1 x M20 Gland / 3/4" NPTF threaded adaptor
- Remote Amplifier: 4 x 20mm (0.8"), 1 x 16mm (0.6") knock outs
- Integral Units: 2 x M20 Glands / 3/4" NPTF threaded adaptors.

Specifications

Gladiator Microwave Series



Mounting (Sender / Receiver)

- Four x 10mm (0.4") holes in flange
- MIC-3-BRACKET standard weldable mounting bracket
- MA12 / MA13 adjustable mounting bracket
- 3.5" male NPT thread

Environment Seal

- 3", 4" and 6" weldments for standard mounting on vessel wall with PTFE and UHMW windows
- Flange for mounting separate from vessel wall - isolation shock mounts are available
- Ceramic window assemblies

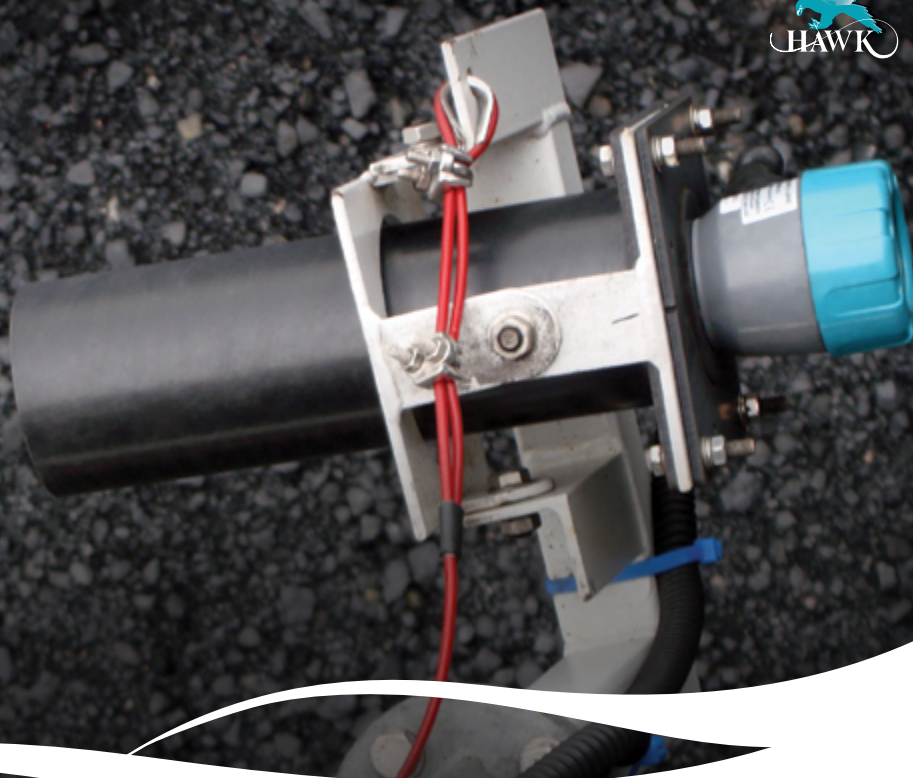
Weight

- GSA 1kg
- GMS 5kg
- GMR 5kg

Approval

- IECEX
Certificate No. IECEX TSA 16.0005X
Zone 20/21, Zone 21
Ex ta tb IIIC T* Da Db Tamb -30°C to +80°C / Tamb = -30°C to +55°C (model dependent)
- cETLus
Certificate No. ETL24CA105410316X
Ex ta/tb IIIC T* Da/Db
Zone 20/21, AEx ta/tb IIIC T* Da/Db
Sensor Face: Class II, III Div. 1, Groups EFG, T*
Sensor Body: Class II, III Div. 2, Groups EFG, T*

**Consult Safety Instructions, Temperature Code information for temperature and other ratings*



HAWK, Since 1988

Hawk Measurement Systems Pty Ltd (HAWK) was established in 1988. It's founding members saw the universal requirement of various industries requiring improved process control and efficiency in their operations.

We Can Help

HAWK understands the difficulties customers face when seeking accurate level measurement. Every application is different, involving a multitude of environmental factors. This is where HAWK excels. Our aim is to ensure that customers feel comfortable with our technology, and are provided with long term and reliable solutions. We believe that a combination of application and product expertise, as well as forward thinking and proactive support policies are the foundation of successful customer-supplier relationships.

Progressive Technical Support

HAWK believes that the future of the Level Measurement Industry revolves around the quality of pre and post sales - support. Our aim is for all sales & support staff to be product experts, and more importantly application experts making our customers applications as efficient and consistent as possible.

Knowledge Sharing

HAWK believes that knowledge sharing is key to creating long term relationships. Empowering our customers and our worldwide distribution network, whilst being available at all times to lend a helping hand, is the perfect recipe for long term solutions and relationships. HAWK openly extends an invitation to share our 25 years of level measurement experience, and ensure that your day to day processes are efficient, understood, and always working.

Hawk Measurement Systems (Head Office)

15 - 17 Maurice Court
Nunawading VIC 3131, AUSTRALIA

Phone: +61 3 9873 4750

Fax: +61 3 9873 4538

info@hawk.com.au

For more information and global representatives: www.hawkmeasurement.com

Additional product warranty and application guarantees upon request.

Technical data subject to change without notice.

Hawk Measurement USA

5010 Gateway Drive, Medina, OH 44256, USA

Phone: +1 888 HAWKLEVEL (1-888-429-5538)

Phone: +1 978 304 3000 / +1 877-356-5463

Fax: +1 978 304 1462 / +1 330-331-7172

info@hawkmeasurement.com