

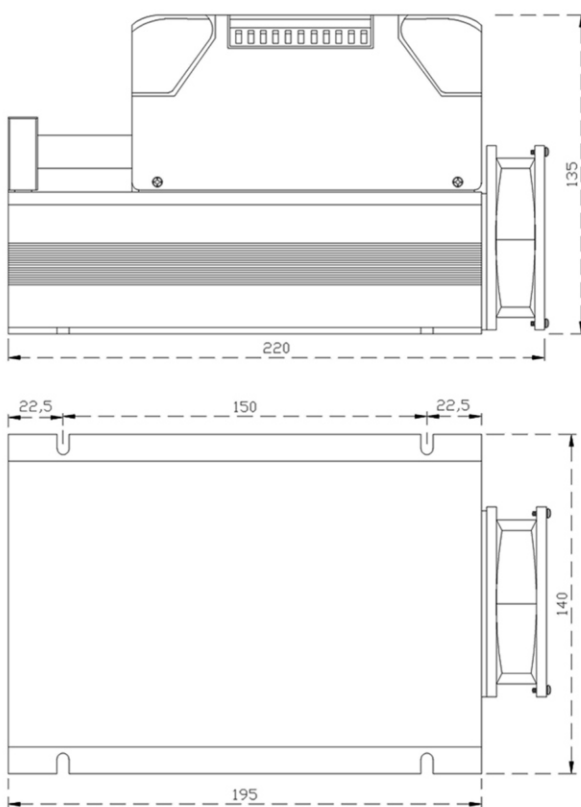
SCR Power Regulator

T-6 T-6L Series Digital Power Regulator

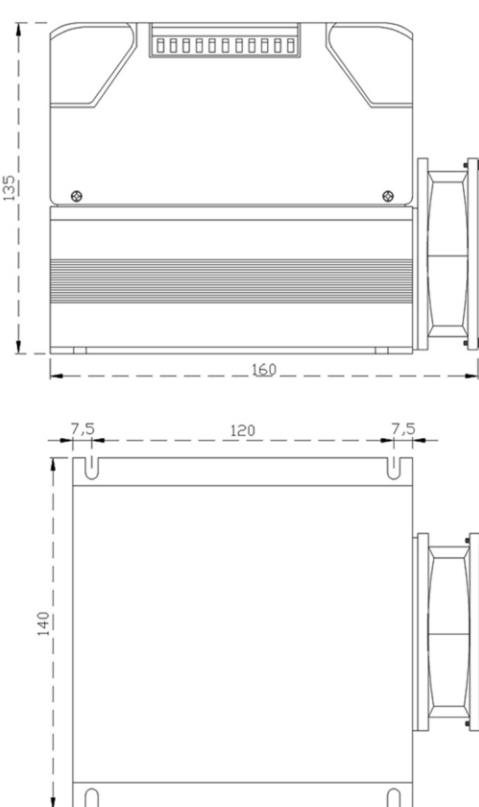


- Auto/manual
- Run/stop
- RS485 Communication
- Built-in fuse with alarm
- Max/Min output adjustable

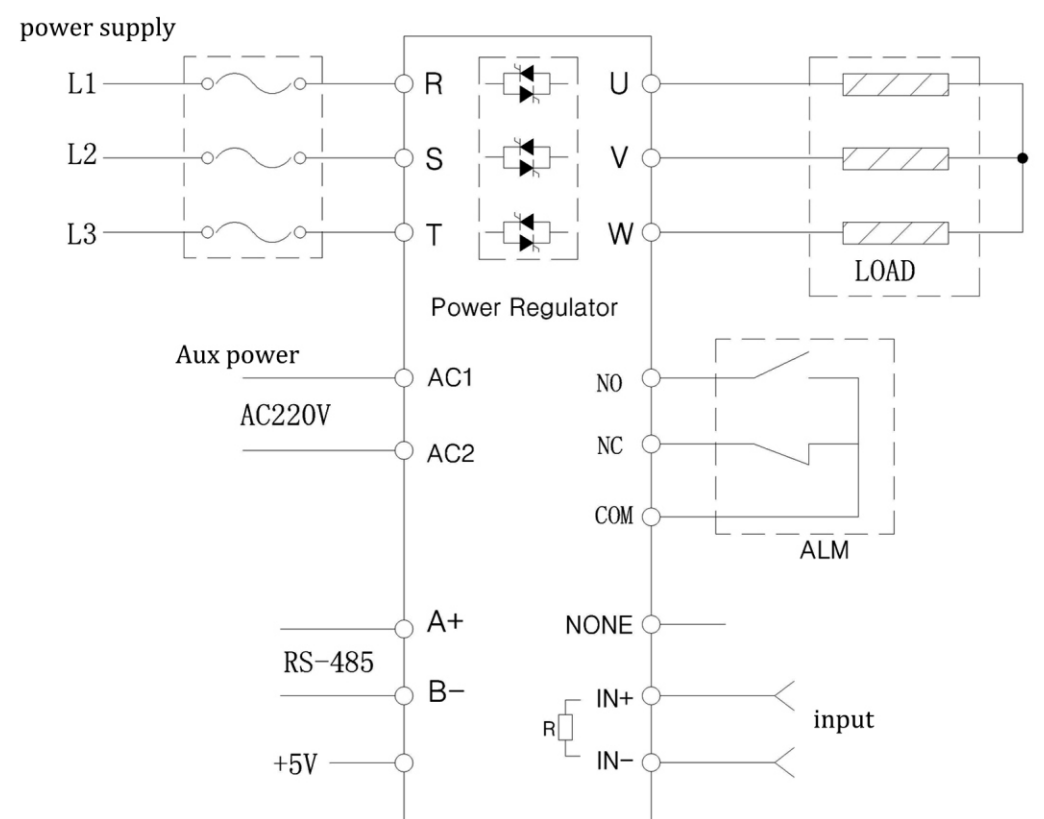
T-6L Size(mm)



T-6 Size(mm)



Wiring diagram



Communication RS-485
Modbus-RTU

HMI (RS-485)
maximum connection distance 3900 feet



Auto/manual

Auto/manual



- Set manually

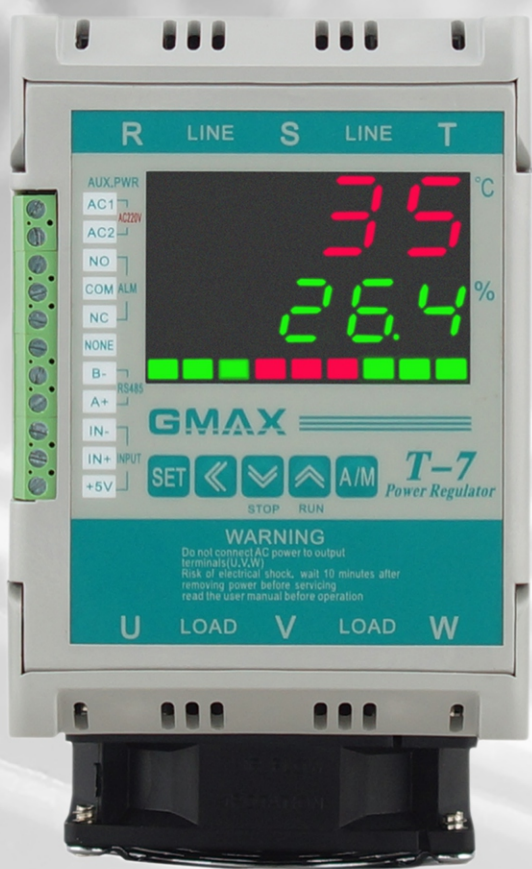
Programmer function

- Phase absence indicator
- Phase absence alarm
- over-temperature range adjustable
- output buffer range adjustable

SCR Power Regulator

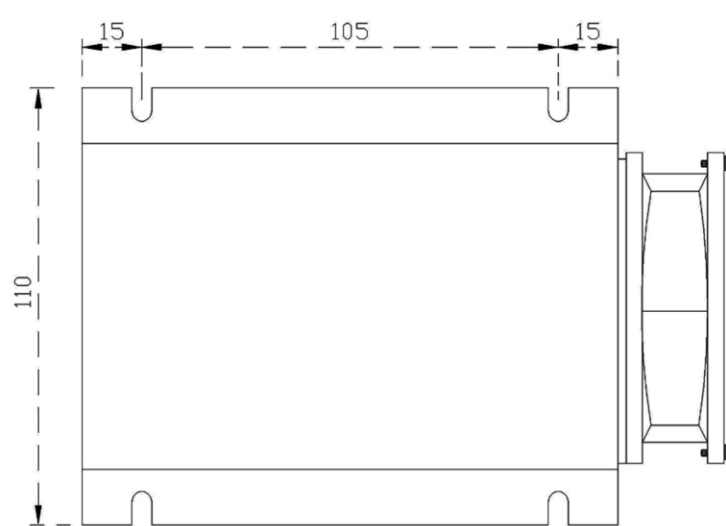
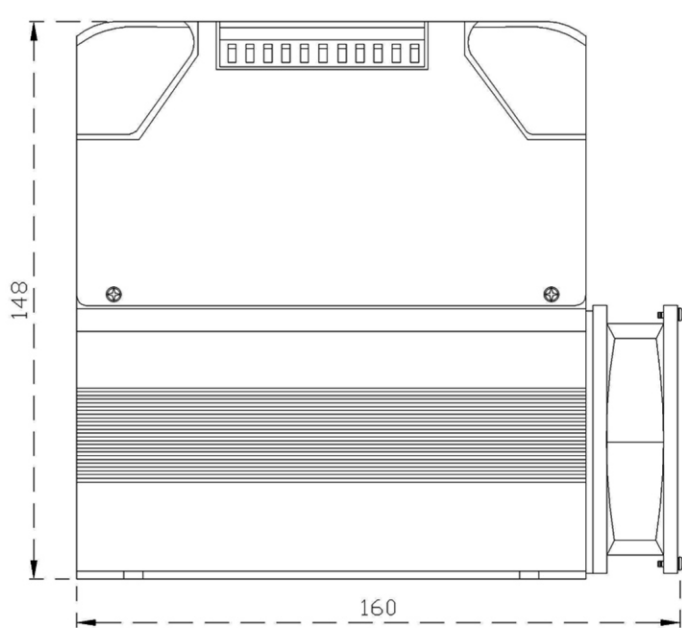


T-7 Series Digital Power Regulator

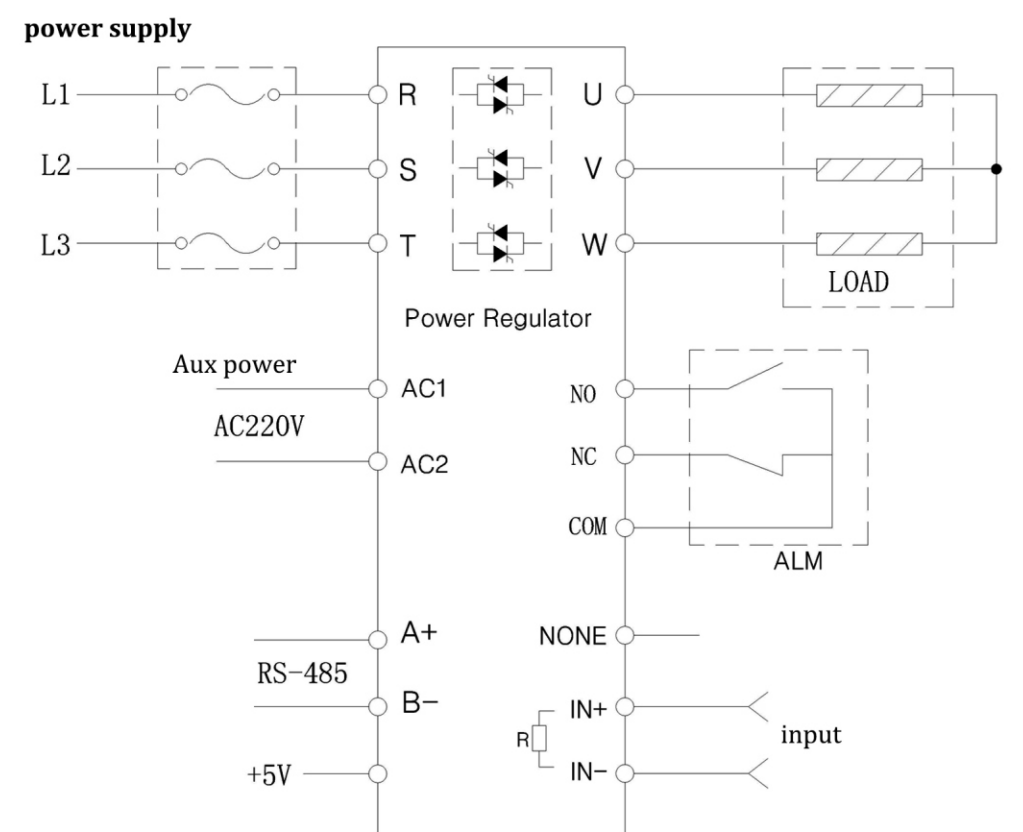


- Auto/manual
- Run/stop
- RS485 Communication
- Built-in fuse with alarm
- Max/Min output adjustable

Size(mm)



Wiring diagram



Communication RS-485
Modbus-RTU

HMI (RS-485)
maximum connection distance 3900 feet



Auto/manual

Auto/manual

- Set manually



Programmer function

- Phase absence indicator
- Phase absence alarm
- over-temperature range adjustable
- output buffer range adjustable

SCR Power Regulator

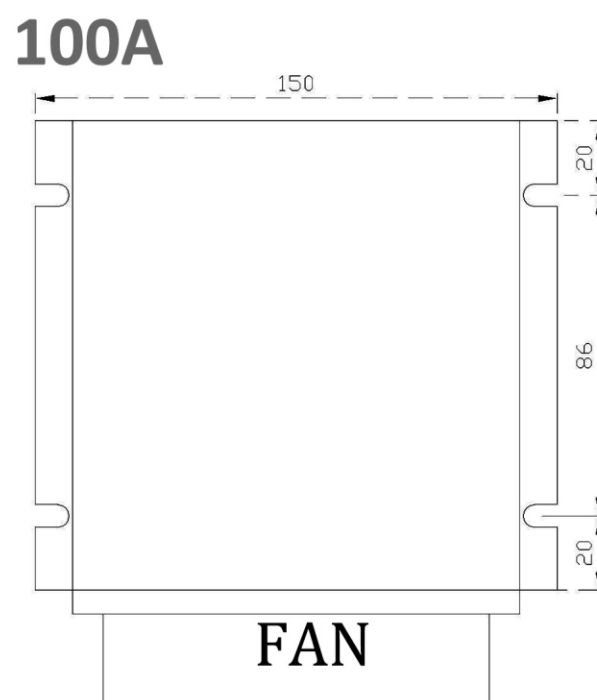
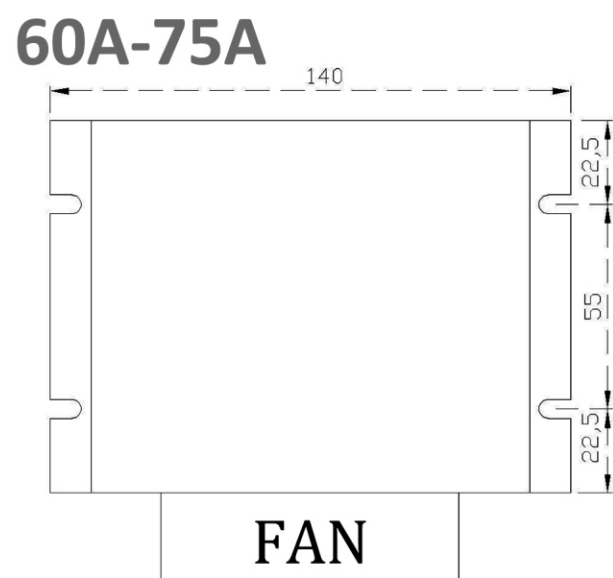
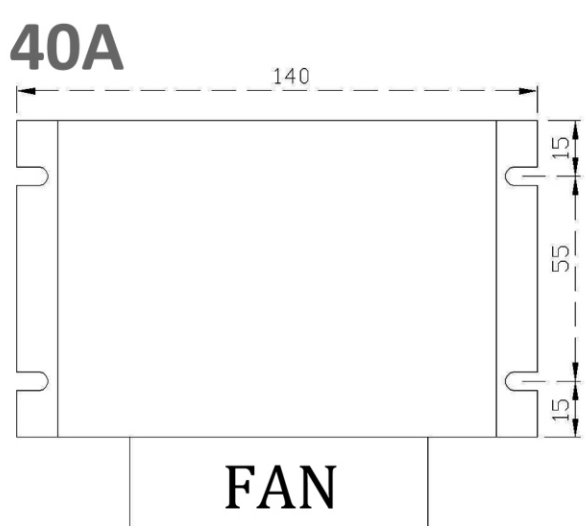
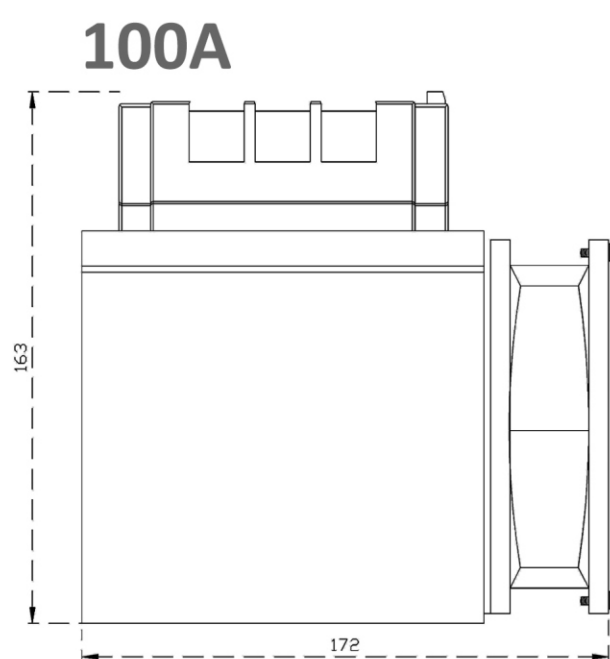
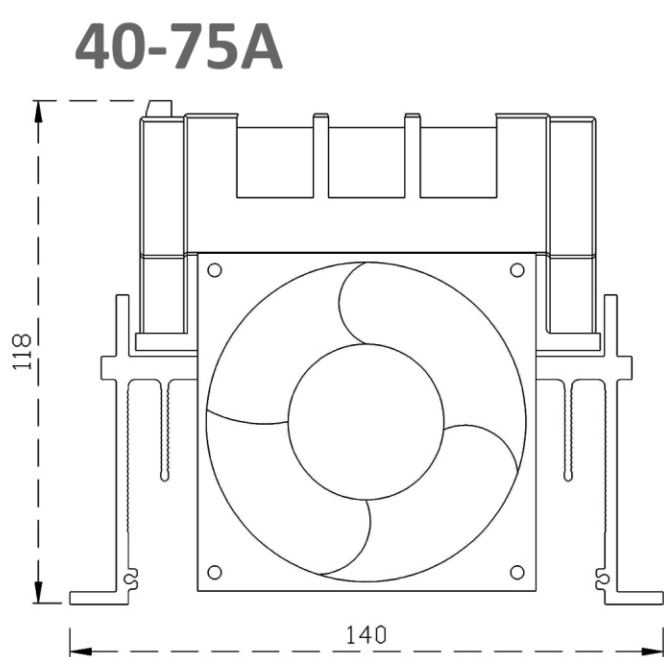


T-51 Series Digital Power Regulator

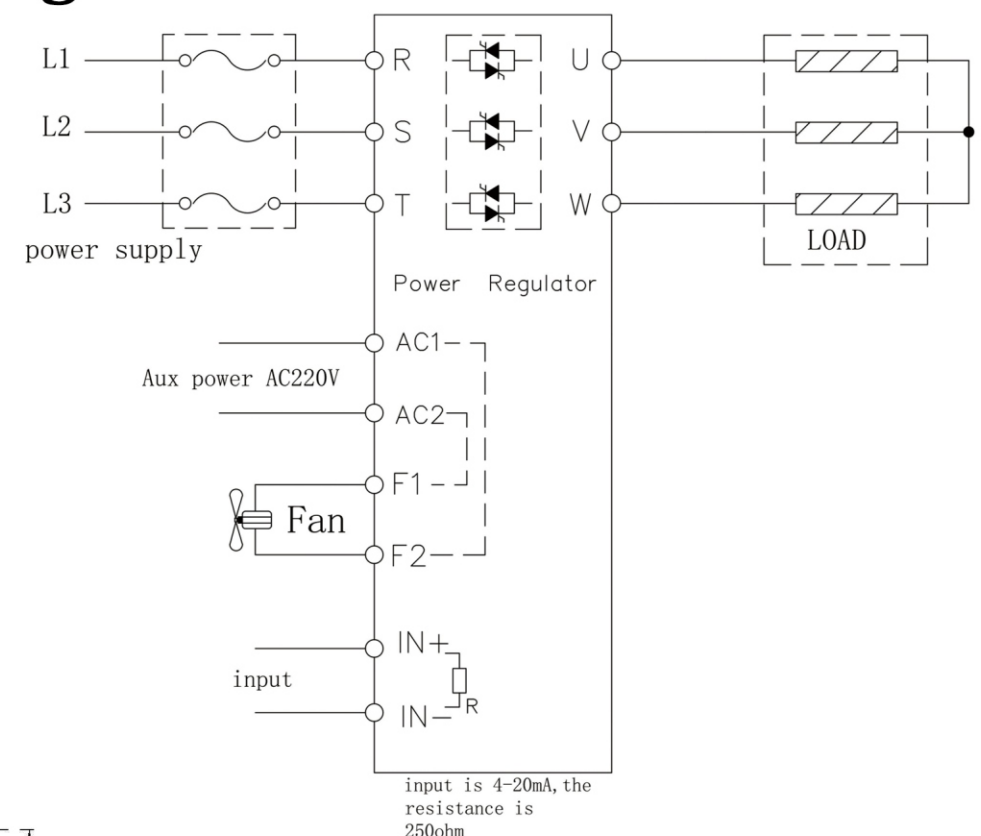


- Display Input%**
- Separation of module and radiator**
- Small size**
- Multifunction display**
- Over-temperature can be set**
- Max/Min output configurable**

size(mm)



Wiring



Aux function Programmer function

- Input phase loss indicator
- Radiator overheating protection
- soft-start function
- cooling fan

Reasonable price
Suit for all kinds of compact equipment

SCR Power Regulator



T-51B Series

Digital Power Regulator



Input% display

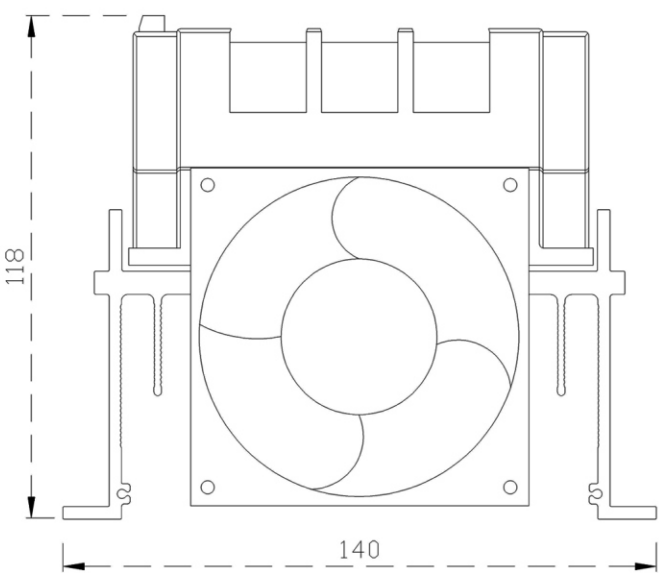
Separation of module and radiator

Small size

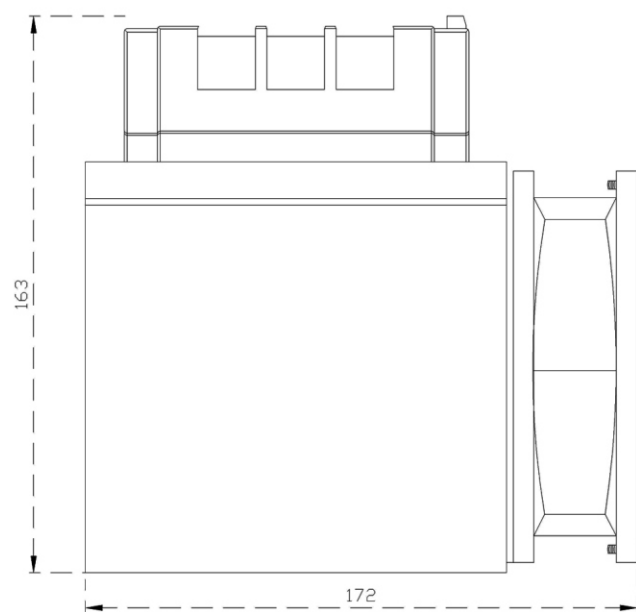
Multifunction display

size(mm)

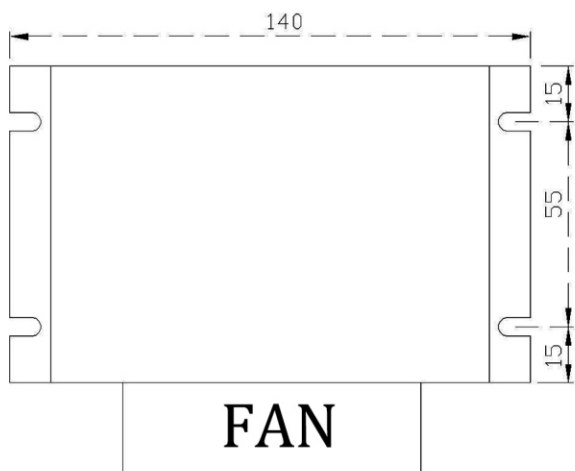
40-75A



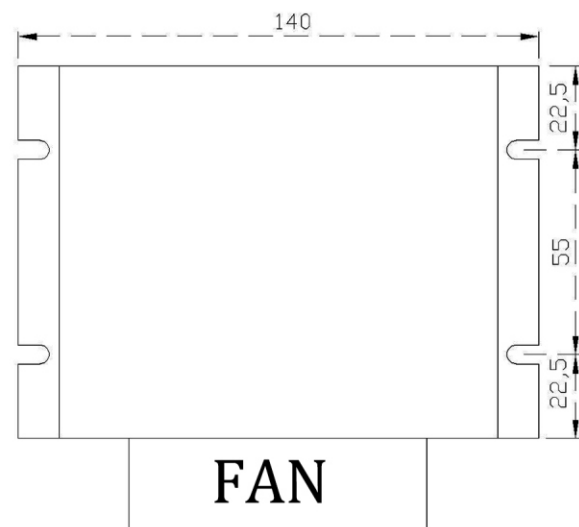
100A



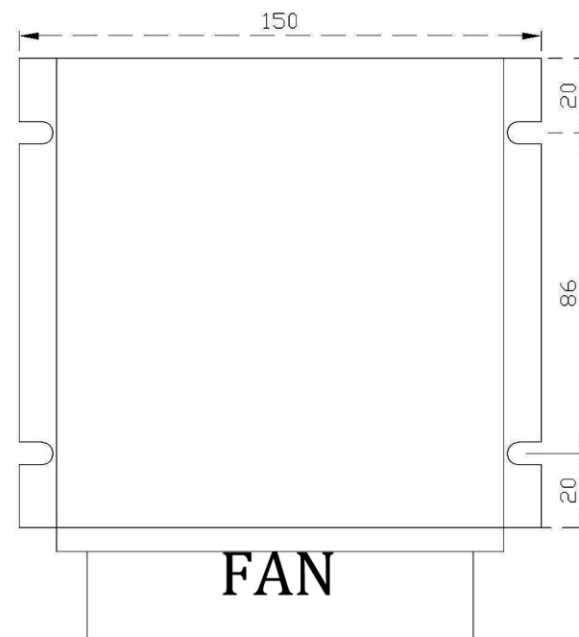
40A



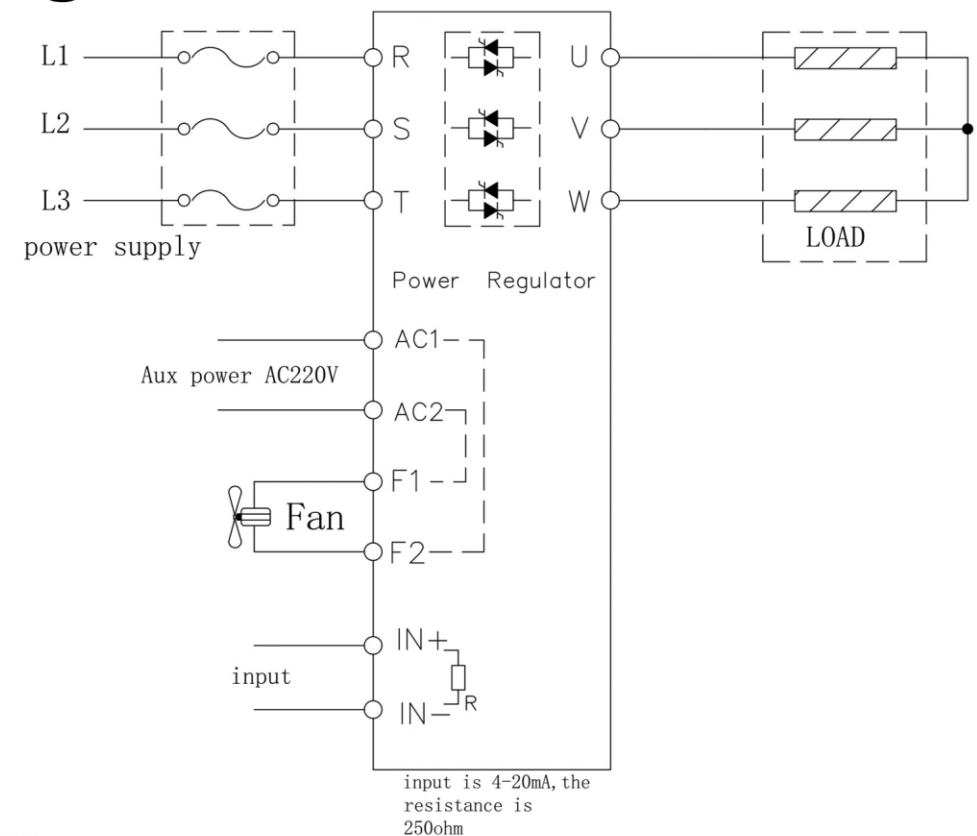
60A-75A



100A



Wiring



Aux function Programmer function

- Input phase loss indicator
- Radiator overheating protection
- colling fan

Reasonable price
Suit for all kinds of compact equipment



TCH500 series

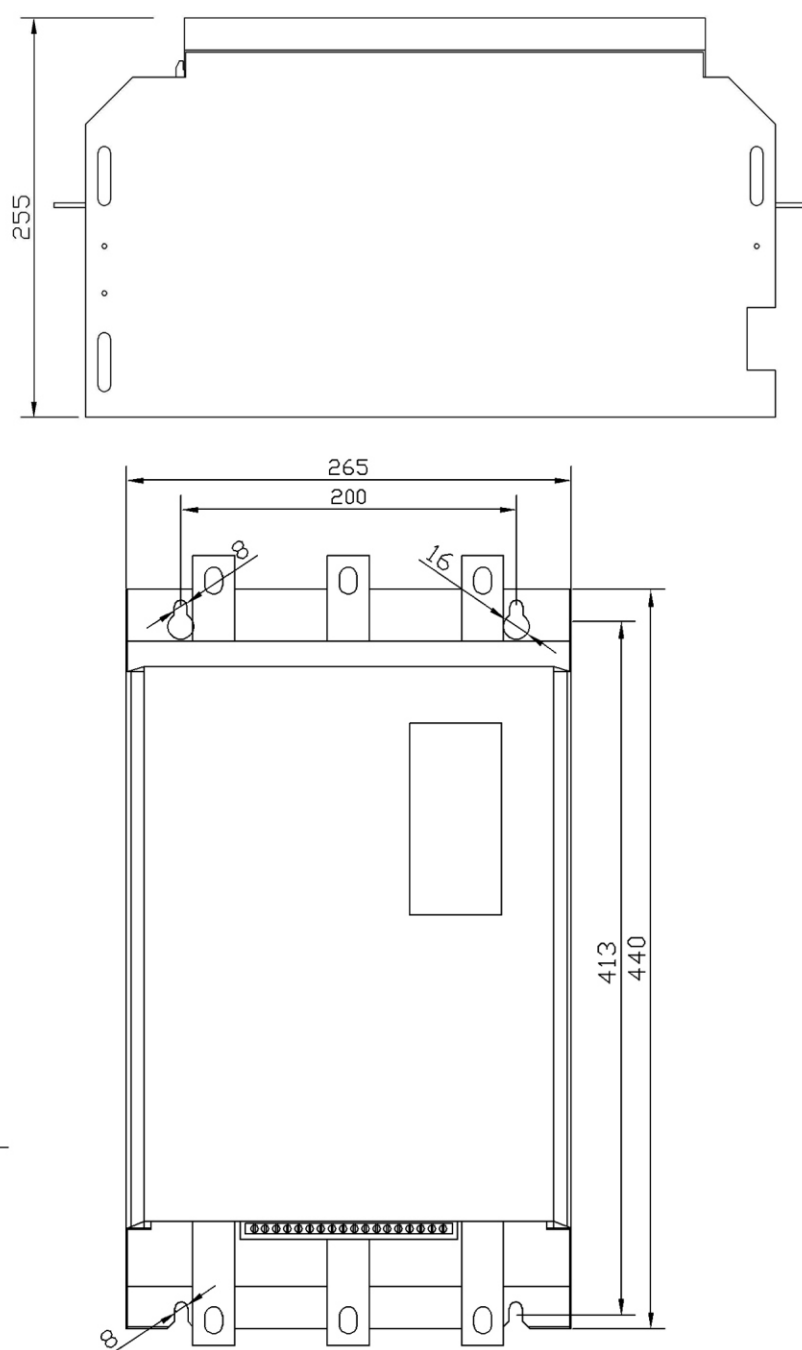
Digital power regulator

- Digital control, high accuracy, high stable
- RS-485 communication
- Multi-inputs selectable
- LED display
- Output% display
- Multi-indicators display work status
- Max/Min output% adjustable
- Over-temperature can be set
- Phase angle control
- Slim design, easy installation

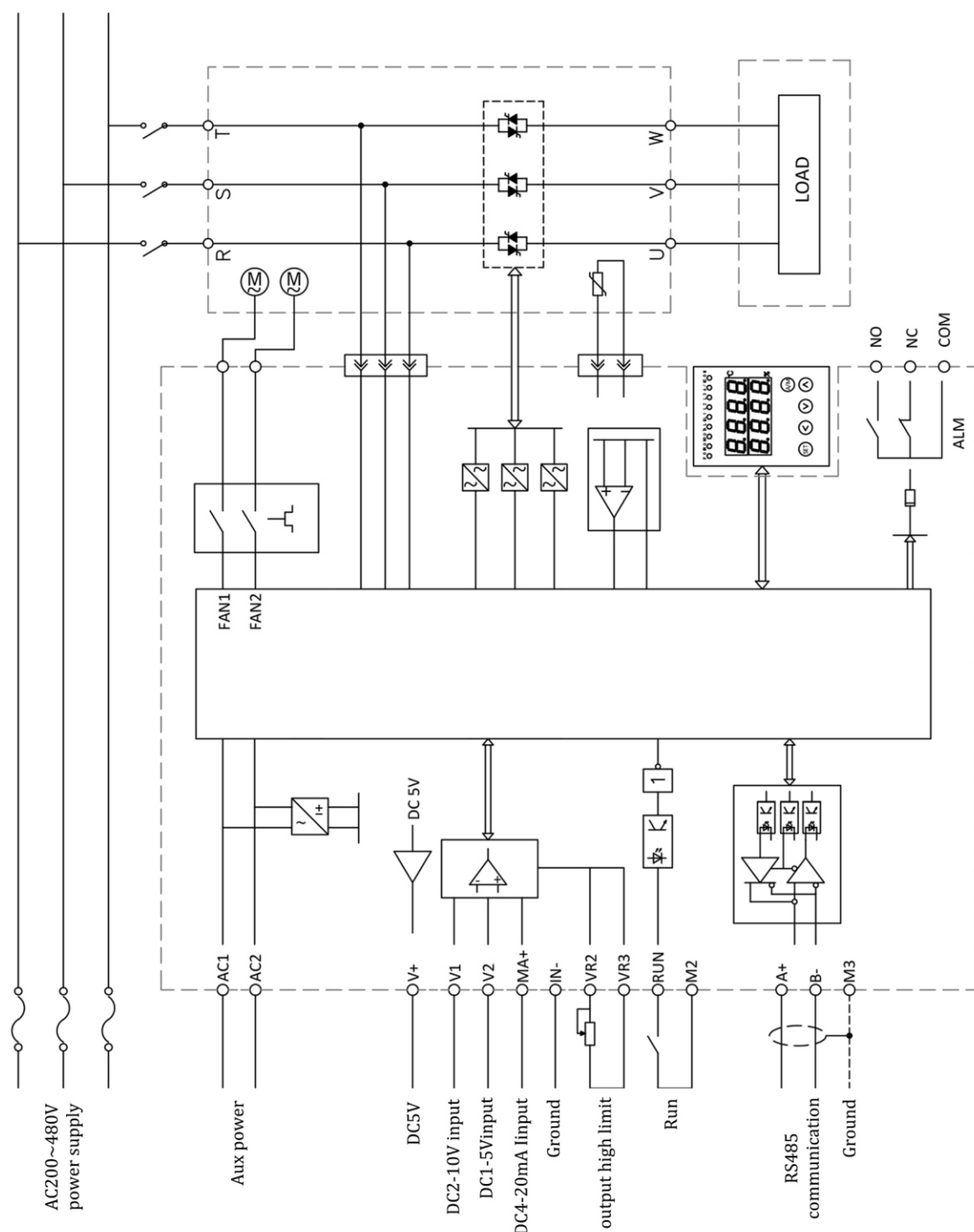
Output% phase control

Phase angle control percentage	
20%input	
50%input	
90%input	

Size(mm)

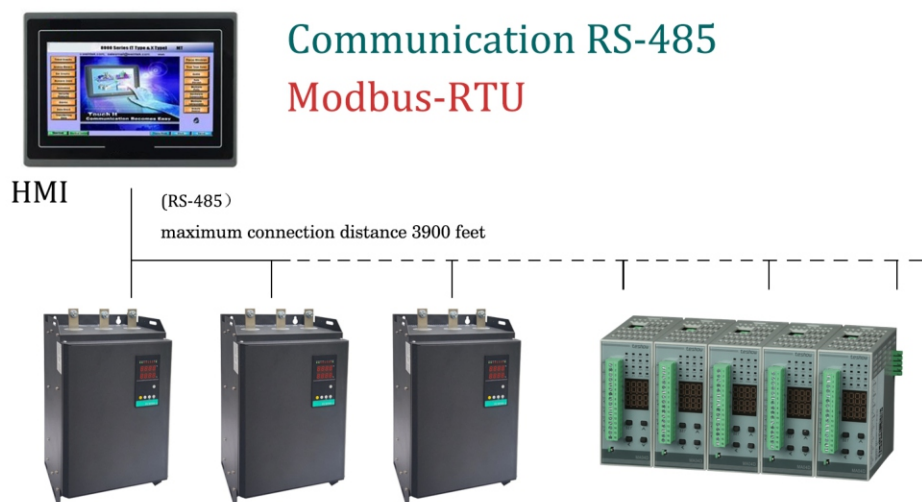


Wiring diagram



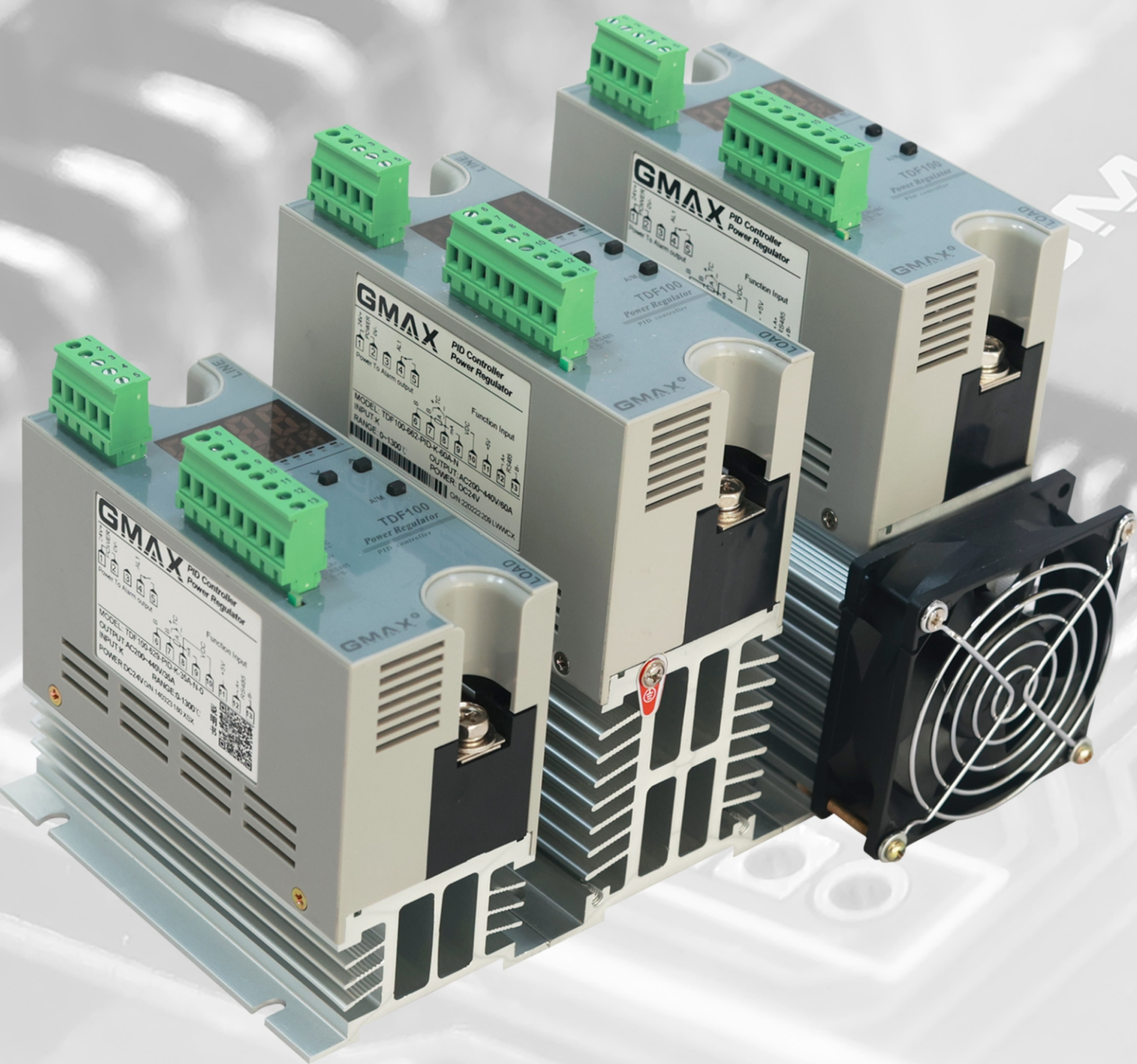
Aux function

- Phase-lost display
- Multi-inputs selectable
- over-temperature of heat sink can be set
- soft-start function



TDF100 Series

PID Temperature control + single phase SCR



Auto/Manual

All signal inputs selectable

RS-485 communication

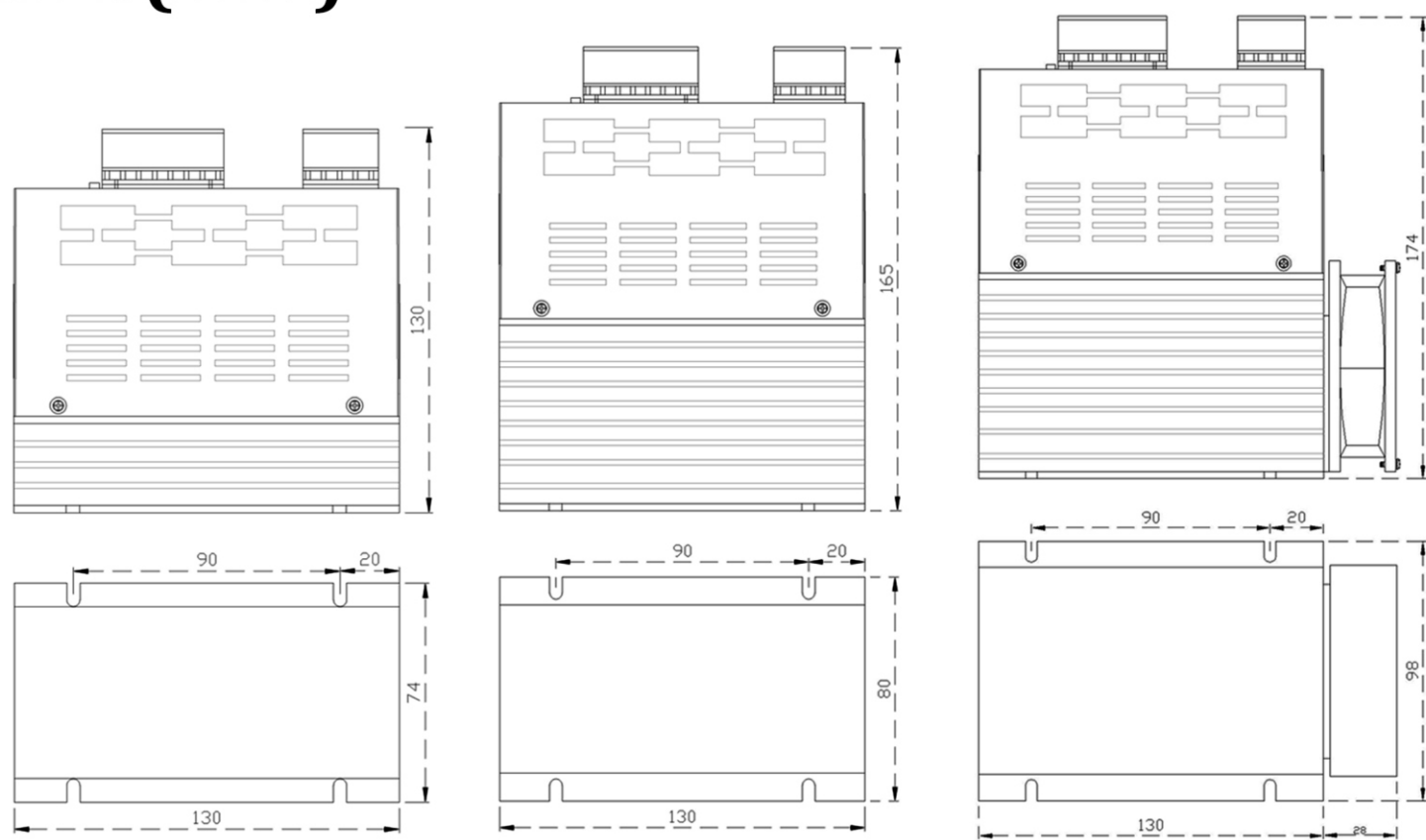
PID temperature control

Single-phase SCR control

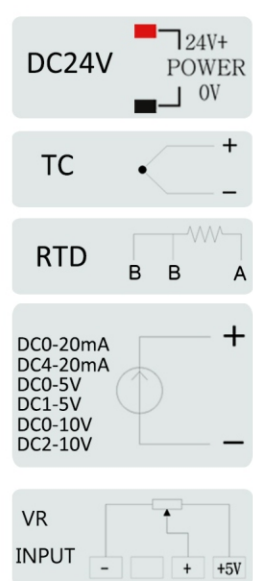
Auto-tuning

output% adjustable

Size(mm)



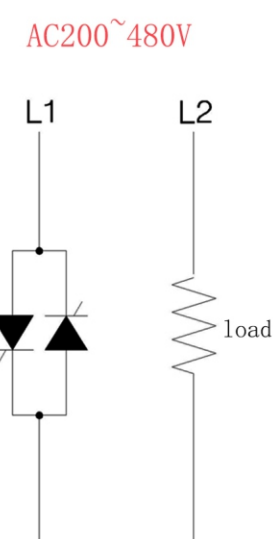
wiring



INPUT



OUTPUT



Multi-connection, power and RS-485 using quick-connect terminals

Heat-sink

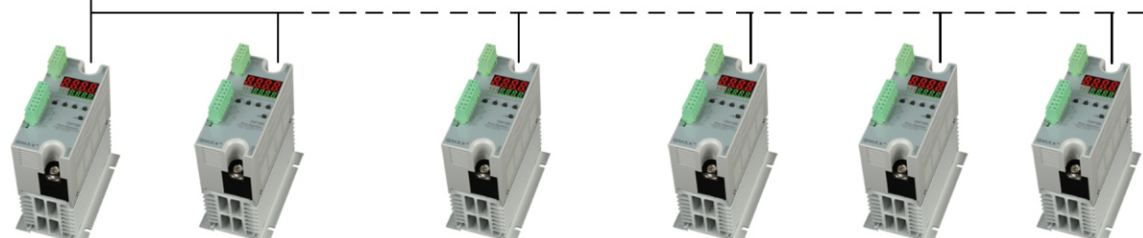


Pluggable terminal



Communication RS-485
Modbus-RTU

HMI (RS-485 communication)
The longest line is 1200 meters



Auto/manual



• output% can be manual set

current

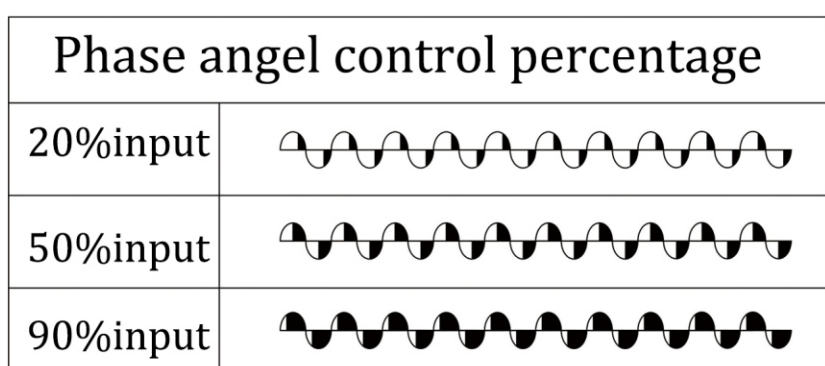
- AC35A
- AC48A
- AC60A
- AC80A
- AC100A

TCH300 Series Digital Power Regulator

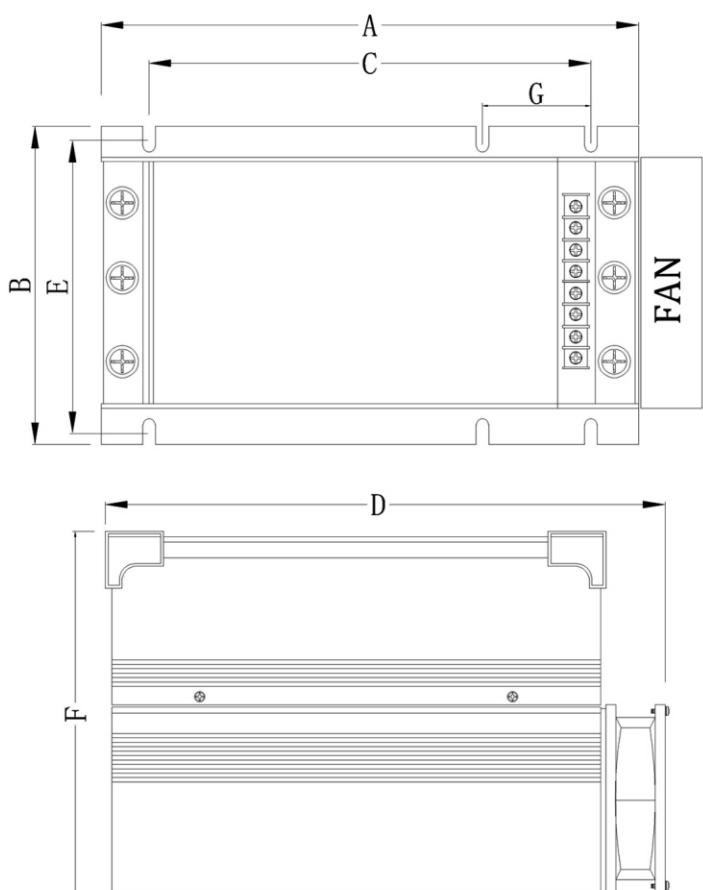


- RS485 Communication
- Multi-inputs selectable
- Display the heat-temperature
- Display input%
- Multi indicators display work status
- Max/Min output adjustable
- Built-in Fuse
- over-temperature can be set
- Phase angle control

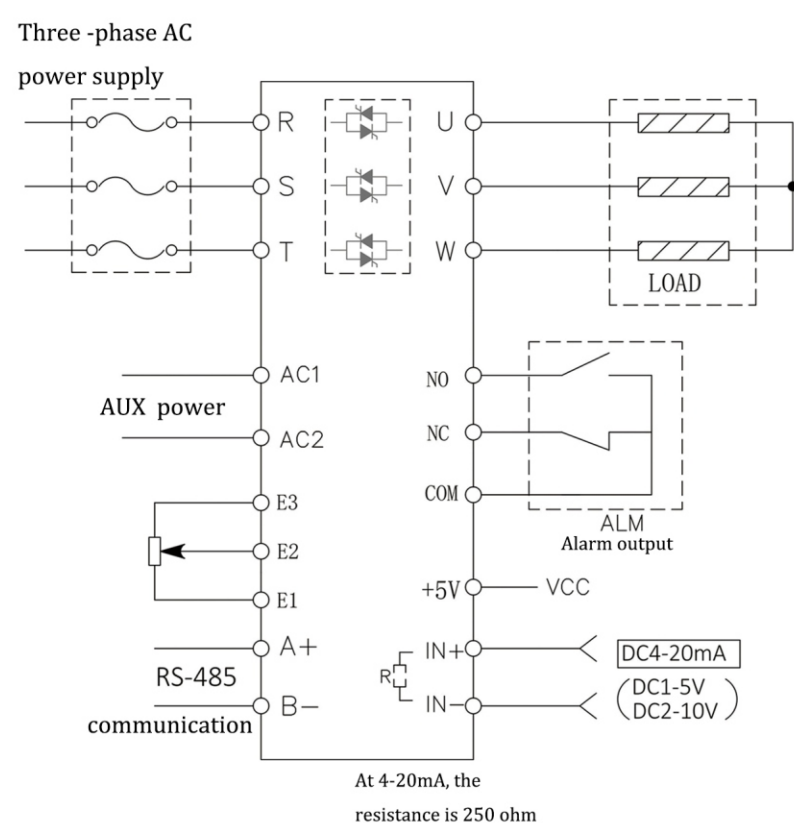
output% phase control picture



SIZE(mm)

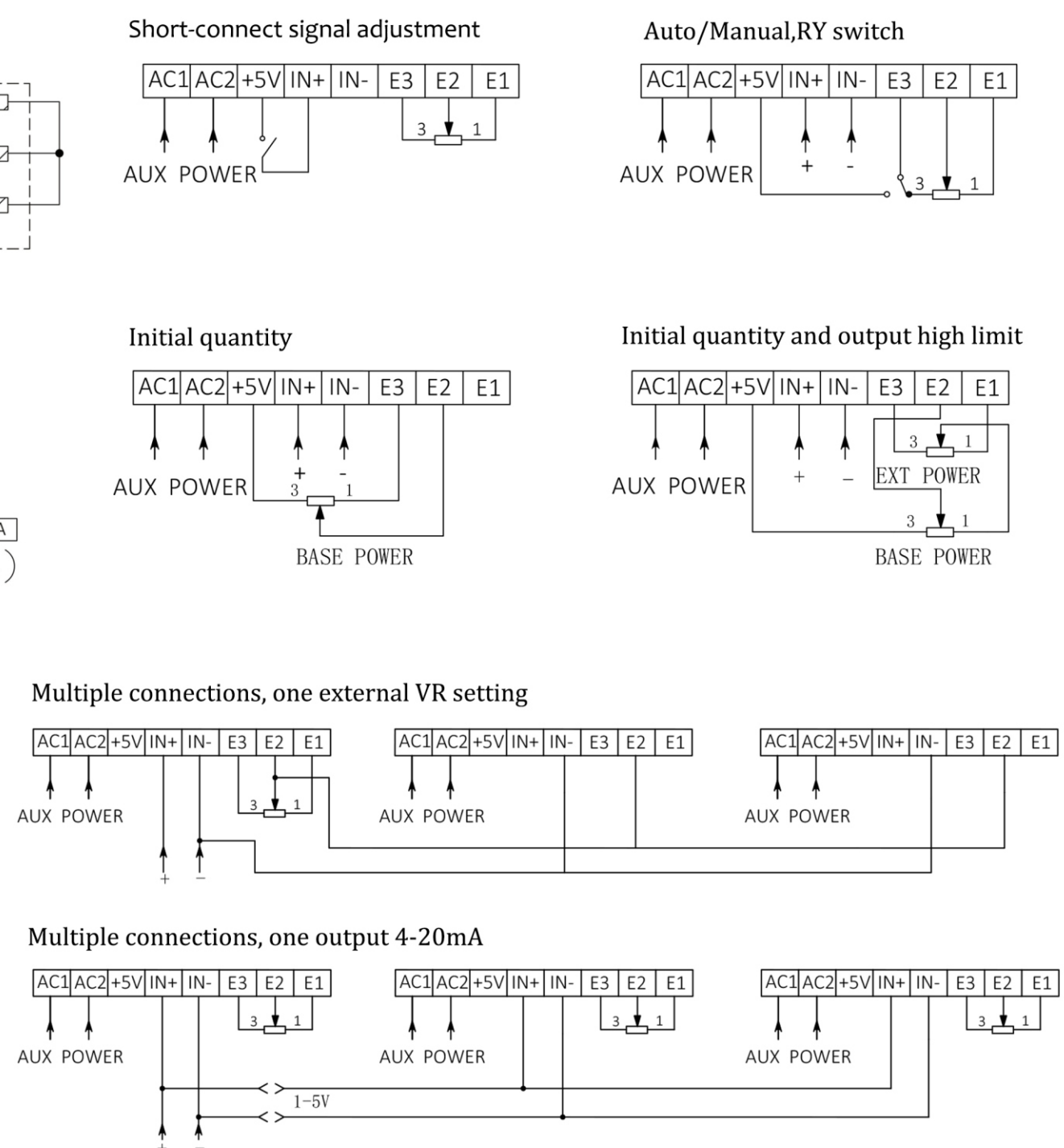


Wiring diagram



model	size details unit (mm)						
	A	B	C	D	E	F	G
TCH300-A-2-4-100-N	210	150	160	255	132	208	
TCH300-B-2-4-125-N	250	150	200	295	132	208	
TCH300-B-2-4-150-N	250	150	200	295	132	208	
TCH300-C-2-4-175-N	300	150	250	345	132	208	50
TCH300-C-2-4-200-N	300	150	250	345	132	208	50
TCH300-C-2-4-225-N	430	150	380	470	132	230	190

WIRING DESCRIPTION



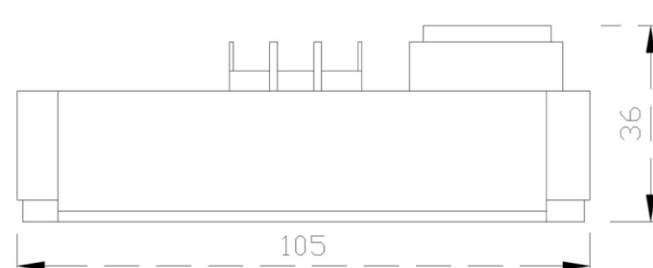
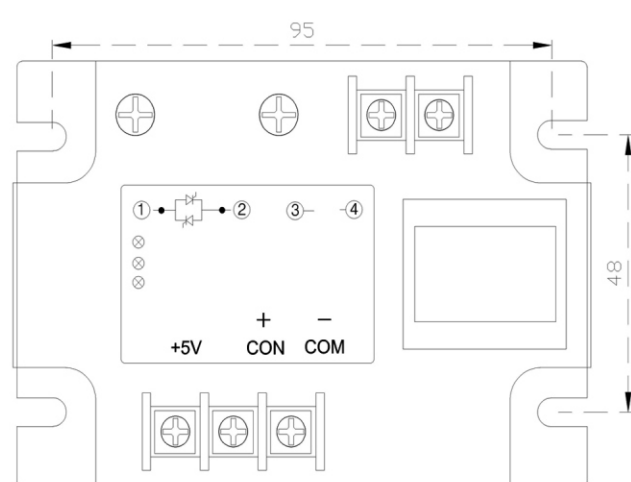
TDD Series single-phase SCR



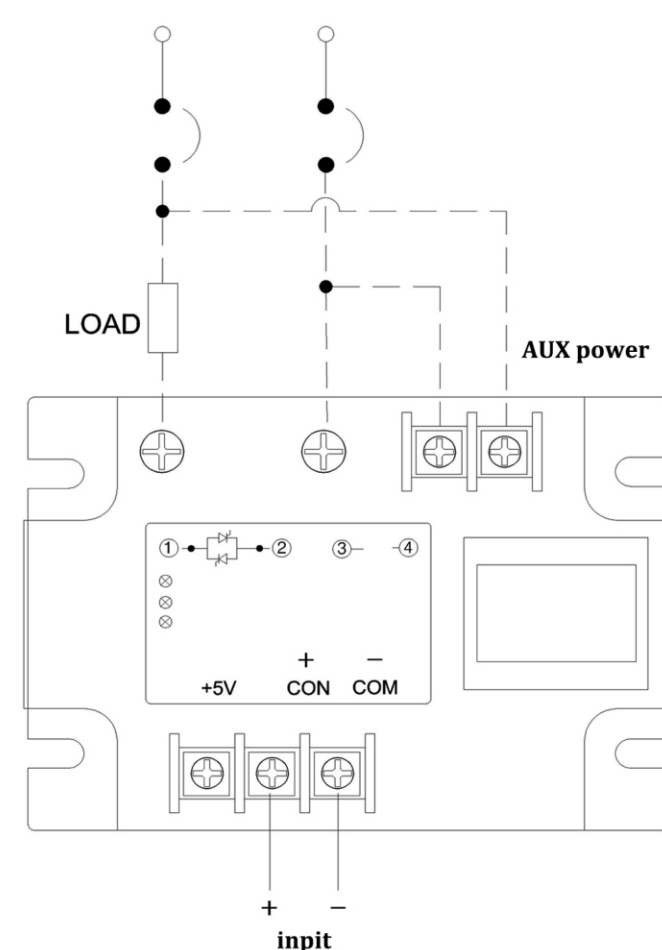
Sealed design
Seperation of module and radiator
Input/output indiactor



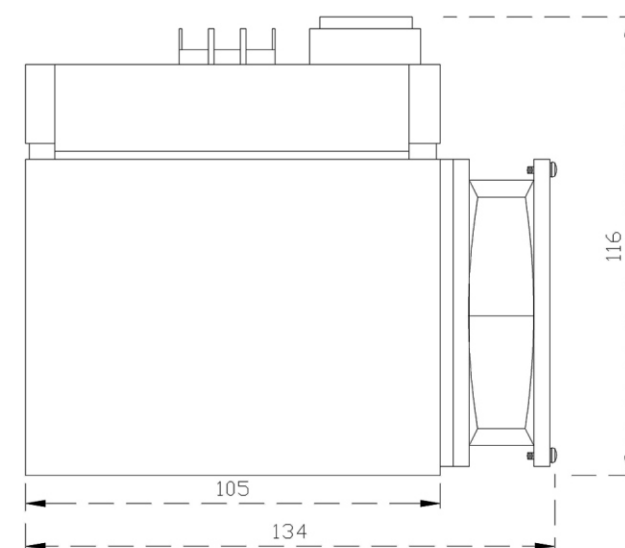
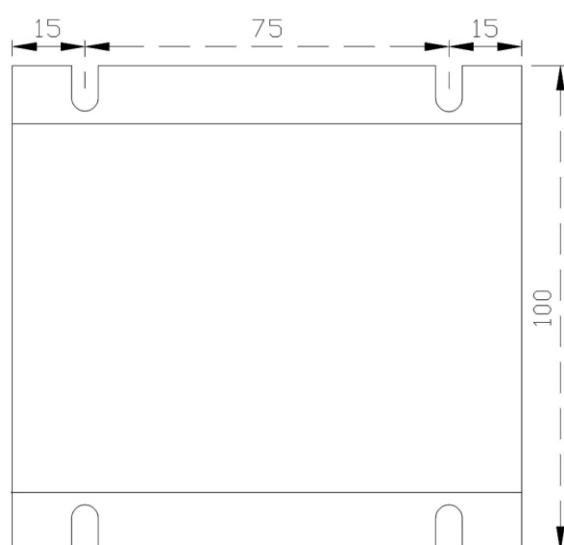
SCR size(mm)



Wiring



Radiator size(mm)



• More than 75A need install fan