

DSP5053 DSP5153 DSP5253

PA Speaker



Description

This series of products is a multi-functional loudspeaker, available in wall-mounted, pendant, and floor types. This series of products can provide high-quality voice and music reproduction functions, and relatively long sound transmission distance. It is suitable for conference rooms, shopping malls, exhibition halls and other indoor and outdoor occasions.

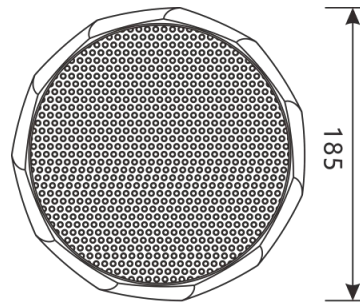
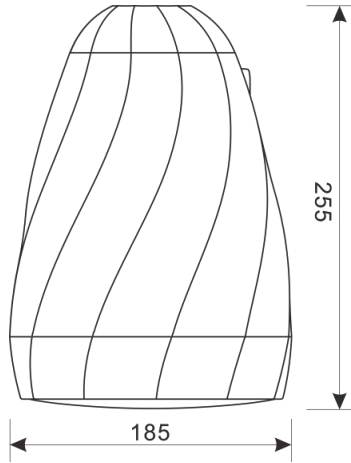
Features

- Suitable for public address and background music playback.
- With clear and bright sound, bringing quality sound experience.
- Using high-quality PP material for drum paper of the speaker unit, rubber edge moisture-proof treatment, and silk dome tweeter for good sound quality and timber performance.
- Simple in appearance and shape, using fine round hole diffusion design for the mesh, beautiful and durable, so that the speaker can be perfectly integrated into any occasion.
- Using high-strength ABS material for the shell, sturdy and durable.
- Equipped with mounting bracket, easy to install.

Specifications

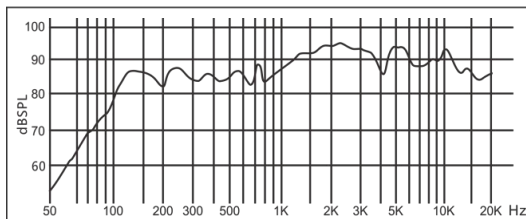
Model		DSP5053	DSP5153	DSP5253
Speaker Unit		5.25"×1+1"×1		
Rated Power (RMS)		30W		
Power Adjustment	70V	1.25W-2.5W-4W-8W-15W		
	100V	2.5W-5W-8W-15W-30W		
	8Ω	30W		
Sensitivity (1m, 1W)		86dB±2dB		
MAX. SPL. (1m)		101dB±2dB		
Frequency Response		110Hz~20kHz		
Dimensions (H×W×D)		ø185×255mm		
Installation Method		Pendant	Wall-Mounted	Floor-standing
Weight		2.6kg		

Product Information

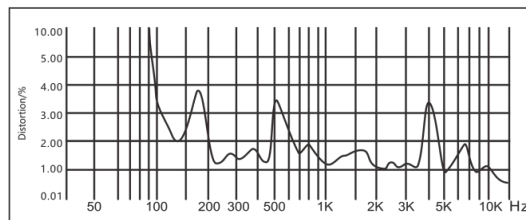


Unit: mm

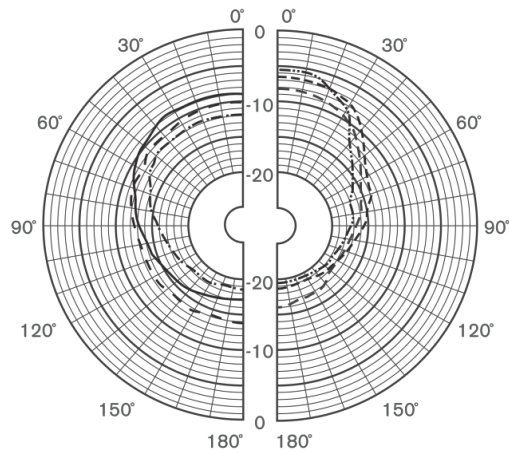
Frequency Response
(dB SPL, 1W, 1m)



Distortion
(THD < 5% 1W, 1m, 100Hz-10kHz)



Directivity



- | | |
|--------------|---------------|
| --- 250 Hz | --- 2000 Hz |
| - - - 500 Hz | - - - 4000 Hz |
| — 1000 Hz | — 8000 Hz |